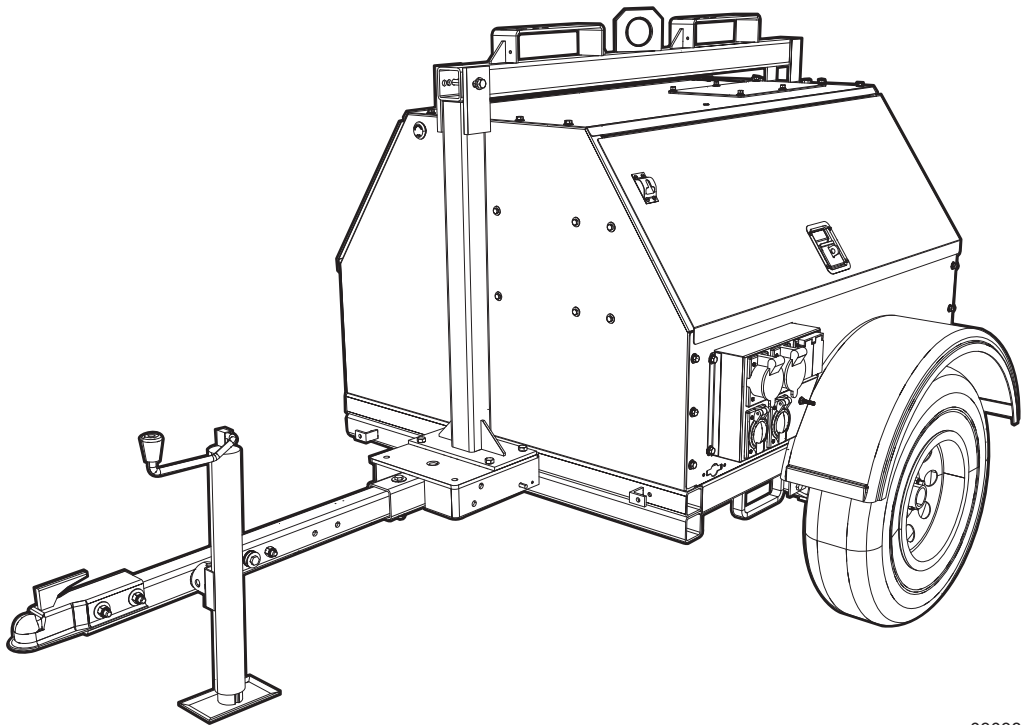


MLG15M Diesel Generator

Parts Manual



03038

MODEL NUMBER: _____

SERIAL NUMBER: _____

DATE PURCHASED: _____

SAVE THIS MANUAL FOR FUTURE REFERENCE

 **WARNING**

CANCER AND REPRODUCTIVE HARM

www.P65Warnings.ca.gov.

(000393a)

 **WARNING**

Breathing diesel engine exhaust exposes you to chemicals known to the State of California to cause cancer and birth defects or other reproductive harm.

- Always start and operate the engine in a well-ventilated area.
- If in an enclosed area, vent the exhaust to the outside.
- Do not modify or tamper with the exhaust system.
- Do not idle the engine except as necessary.

For more information go to

www.P65Warnings.ca.gov/diesel.

(000394)

Introduction

This parts manual was prepared based on the information available at the time of publication and is subject to change without notice. Generac Mobile Products reserves the right to change parts at any time. To check whether a revised parts manual is available, contact Generac Mobile Products.

DO NOT MODIFY or use this equipment for any application other than which it was designed for. To keep your equipment fully operational, it is suggested you maintain a stock of commonly used maintenance or service parts. A recommended spare parts list can be found in the back of this manual. To order service parts, please go to www.generacmobileproducts.com or call Generac Mobile Products.



WARNING

Consult Manual. Read and understand manual completely before using product. Failure to completely understand manual and product could result in death or serious injury. (000100a)

WARNING

Environmental Hazard. Always recycle batteries at an official recycling center in accordance with all local laws and regulations. Failure to do so could result in environmental damage, death, or serious injury. (000228)

GENERAC MOBILE PRODUCTS LLC

215 Power Drive • Berlin, WI 54923 U.S.A.

Phone: 920-361-4442

FAX: 920-361-4416

Toll Free: 1-800-926-9768

www.generacmobileproducts.com

For technical or parts QUESTIONS, contact Generac Mobile Products Technical Service at 1-800-926-9768.

Engine Make: _____

Engine Serial Number: _____

Engine Model Number: _____

This Page Intentionally Left Blank

Table of Contents

Introduction	iii
Parts Manual Instructions	1
Unit Decals - Exterior	2
Unit Decals - Left Side Interior	4
Lift Structure to Unit	6
Roof and Doors to Unit	8
Front, Rear and Side Panels to Unit	10
Receptacle Box Assembly	12
Control Box to Unit	14
Control Box Assembly	16
Control Panel Assembly	18
Cooling System Assembly	20
Engine and Generator to Unit	22
Engine Assembly - Left Side	24
Engine Assembly - Right Side	26
Generator Assembly	28
Fuel Tank to Unit	30
Trailer Assembly	32
Hitch Options	34
Axle Assembly	36
Recommended Spare Parts - Engine and Service Kits	38
Recommended Spare Parts - Electrical & Misc	40

This Page Intentionally Left Blank

Parts Manual Instructions

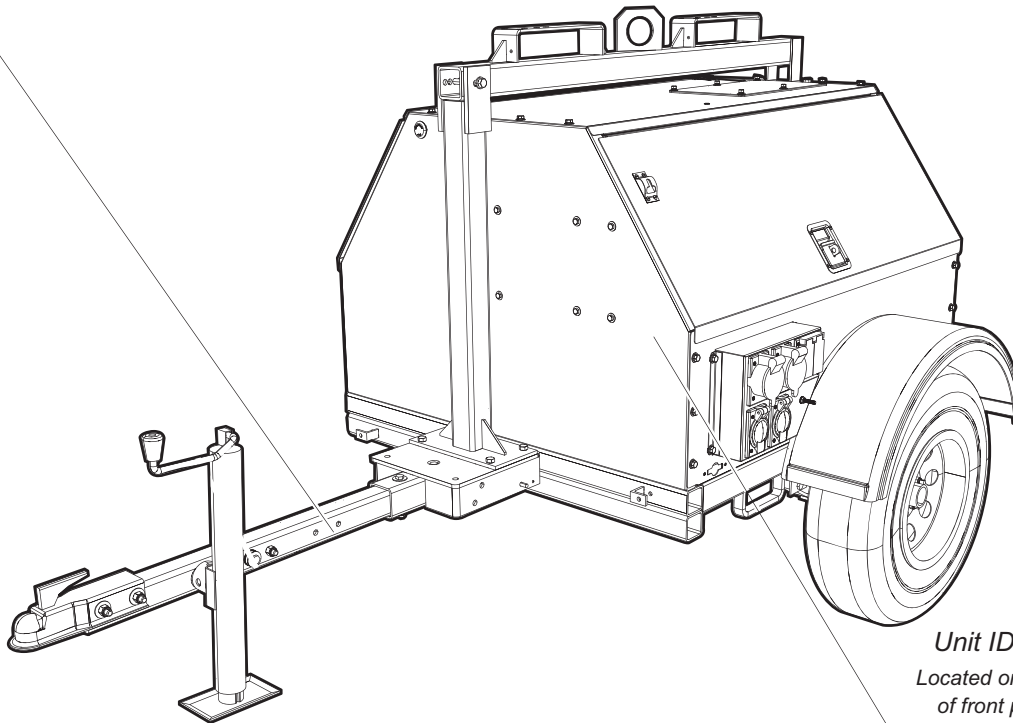
Product illustrations are only representations. Products supplied may vary from the illustrations in this parts manual. Parts not shown in the illustration are indicated by a double dash (--) in the item column.

Please be prepared to provide the following information when ordering replacement parts: model number, serial number (on unit serial tag), part number, purchase order number (if applicable), shipping address, shipping method.

Refer to the illustration below to locate the unit ID tag and Vehicle Identification Number (VIN) tag on the unit. Important information, such as the unit serial number, model number, VIN and tire loading information are found on these tags. Record the information from these tags so it is available if the tags are lost or damaged. When ordering parts or requesting assistance, you may be asked to provide this information.

VIN Tag

MANUFACTURED BY: GENERAC MOBILE PRODUCTS LLC		DATE: 05/08/09
GOWN/PROV: GOND (000000)		COLD RT. PRESS. / PRESS. IN
GAWR 17000	TIRE / PWD	RM / JANTE
GONF A PROD: KRNPSLPCL SOL. DUAL		
<p>WEIGHT AND LOADING INFORMATION REASSESSMENT'S DUL LIST PREMIER 55 LB. CAPACITANT</p> <p>The weight of tags should never exceed 000KG (000LBS) or code in charge on the tag (never exceed 000KG (000LBS))</p>		
<p>THIS TAG IS A PROPERTY OF GENERAC MOBILE PRODUCTS LLC. IT IS THE PROPERTY OF THE USER AND MUST BE KEPT IN A SAFE PLACE. IT IS THE USER'S RESPONSIBILITY TO PROTECT THIS TAG FROM DAMAGE AND TO KEEP IT IN A SAFE PLACE. IT IS THE USER'S RESPONSIBILITY TO KEEP THIS TAG IN A SAFE PLACE.</p>		<p>REPAIRS MAKE SURE TO RECORD THE LOCATION OF THE TAG</p>
VIN: N...V... 000000000000000000		MODEL: XX000
		TYPE: TRAILER



Unit ID Tag
Located on inside
of front panel

Manufactured by Generac Mobile Products LLC		
(000) 361-4442	(000) 526-9763	
Country of Origin	Model	Serial Number
Manufacturing Code	Weight (lbs/kg)	SPMF Frequency
		Notes
1 ph. 1 00P	2 ph. 00P	3 ph. 1 00P
KVA		Ins. Class
V		
A		

03039

UNIT DECALS - EXTERIOR

1

2

1

1

1

1

<p>TOWING INSTRUCTIONS</p> <ol style="list-style-type: none"> 1. Read operator's manual. 2. Use hitch rated for trailer's "gross vehicle weight rating". 3. Securely attach trailer to tow vehicle. 4. Attach safety chains using a cross pattern. 5. Attach breakdown chain to vehicle. 6. Check trailer lights. 	<p>ABSCHEPPANWEISUNGEN</p> <ol style="list-style-type: none"> 1. Benutzerhandbuch lesen. 2. Anhängervorrichtung verwenden, die der „Gesamtriebzeuggewichtsklasse“ des Fahrzeugs entspricht. 3. Anhänger sicher am Abschleppfahrzeug befestigen. 4. Sicherheitsketten über Kreuz anbringen. 5. Abbremskette am Fahrzeug anbringen. 6. Anhängerleuchten prüfen. 	<p>INSTRUCCIONES PARA REMOLQUE</p> <ol style="list-style-type: none"> 1. Lea el manual del operador. 2. Use un enganche adecuado para la "capacidad de peso bruto del vehículo" del remolque. 3. Enganche firmemente el remolque al vehículo de remolque. 4. Enganche las cadenas de seguridad en forma cruzada. 5. Enganche al vehículo la cadena de emergencia para advertir. 6. Revise las luces del remolque. 	<p>INSTRUCTIONS DE REMORQUAGE</p> <ol style="list-style-type: none"> 1. Lire le manuel de l'utilisateur. 2. Utiliser un attelage convenant au poids nominal brut de la remorque. 3. Arrimer solidement la remorque au véhicule tracteur. 4. Poser les chaînes de sécurité en les croisant. 5. Fixer la chaîne de remorquage au véhicule. 6. Vérifier les feux de la remorque.
--	--	--	--

1

1

3

1

1

1

1

WARNING

BREATHING DIESEL ENGINE EXHAUST EMISSIONS YOU TO CHEMICALS KNOWN TO THE STATE OF CALIFORNIA TO CAUSE CANCER AND BIRTH DEFECTS OR OTHER REPRODUCTIVE HARM.

- 1) ALWAYS START AND OPERATE THE ENGINE IN A WELL-VENTILATED AREA.
- 2) IF IN AN ENCLOSED AREA, VENT THE EXHAUST TO THE OUTSIDE.
- 3) DO NOT MODIFY OR TAMPER WITH THE EXHAUST SYSTEM.
- 4) DO NOT IDLE THE ENGINE EXCEPT AS NECESSARY.
- 5) FOR MORE INFORMATION GO TO WWW.PEPPERWINGS.CA.GOV/DESEL.

ADVERTENCIA

RESPIRAR EL ESCAPE DEL MOTOR DIESEL LO EXPONE A SUSTANCIAS QUÍMICAS QUE EL ESTADO DE CALIFORNIA RECONOCE COMO CAUSANTES DE CÁNCER Y DEFECTOS CONGÉNITOS U OTROS DAÑOS REPRODUCTIVOS.

- 1) SIEMPRE ARRANQUE Y OPERE EL MOTOR EN UN ÁREA BIEN VENTILADA.
- 2) SI ESTÁ EN UN ÁREA CERRADA, VENTILE EL ESCAPE HACIA EL EXTERIOR.
- 3) NO MODIFIQUE NI ALTERE EL SISTEMA DE ESCAPE.
- 4) NO MODIFIQUE NI ALTERE EL MOTOR EN NINGUN MOMENTO, EXCEPTO SEGÚN SEA NECESARIO.
- 5) PARA OBTENER MÁS INFORMACIÓN, VISITE WWW.PEPPERWINGS.CA.GOV/DESEL.

AVERTISSEMENT

L'INHALATION DES GAZ D'ÉCHAPPEMENT DU MOTEUR DIESEL VOUS EXPOSE À DES SUBSTANCES QUE LE STAT DE CALIFORNIE A DÉCLARÉES RESPONSABLES DE CANCER ET DE MALFORMATIONS CONGÉNITALES OU D'AUTRES ANOMALIES DE LA REPRODUCTION.

- 1) TOUJOURS DÉMARRER ET FAIRE FONCTIONNER LE MOTEUR DANS UN ENDROIT BIEN AÉRIÉ.
- 2) S'IL EST DANS UN ENDROIT FERMÉ, ÉVALUER LE DÉCHAPPÉMENT VERS L'EXTÉRIEUR.
- 3) NE PAS MODIFIER NI ALTERER LE SYSTÈME D'ÉCHAPPEMENT.
- 4) NE PAS LAISSER LE MOTEUR TOUTOURNER À VIDE PLUS QU'IL EST NÉCESSAIRE.
- 5) POUR PLUS D'INFORMATION, ALLER À WWW.PEPPERWINGS.CA.GOV/DESEL.

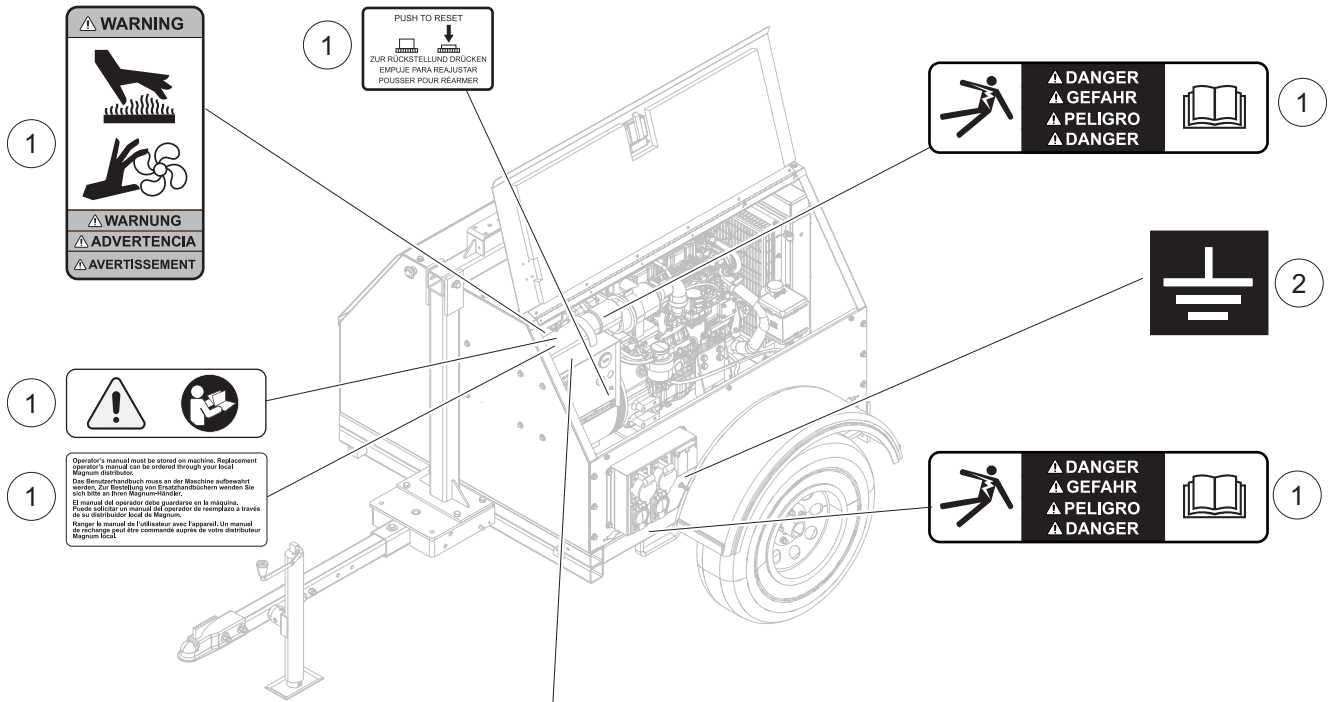
Inside cabinet

03040

UNIT DECALS - EXTERIOR

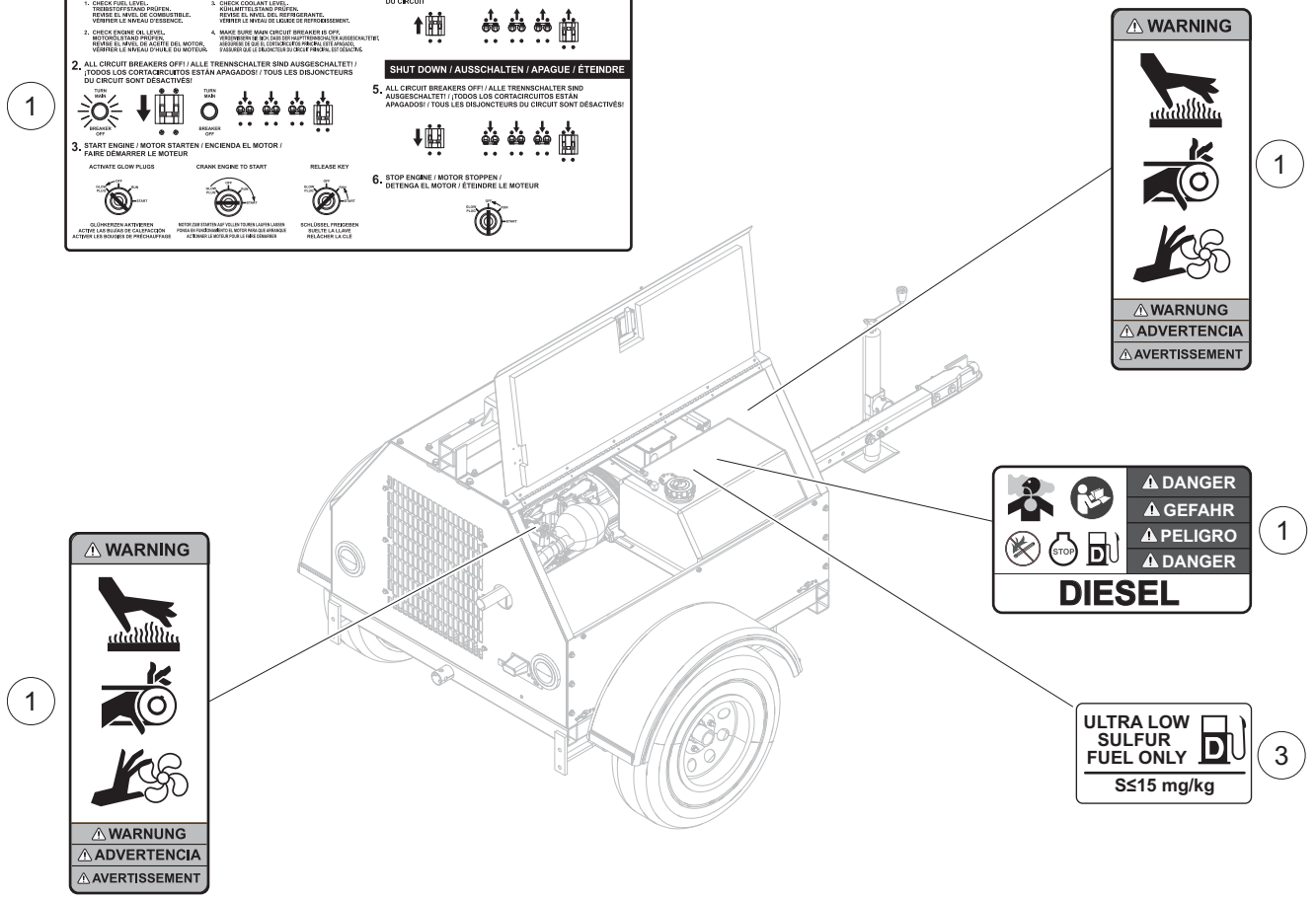
Item	Part No.	Qty	Description	Notes
1	10288	1	Decal, safety	
2	12142	1	Decal, ground	
3	10000038540	1		

UNIT DECALS - LEFT SIDE INTERIOR



ENGINE OPERATION / MOTORBETRIEB / FUNCIONAMIENTO DEL MOTOR / FONCTIONNEMENT DU MOTEUR:

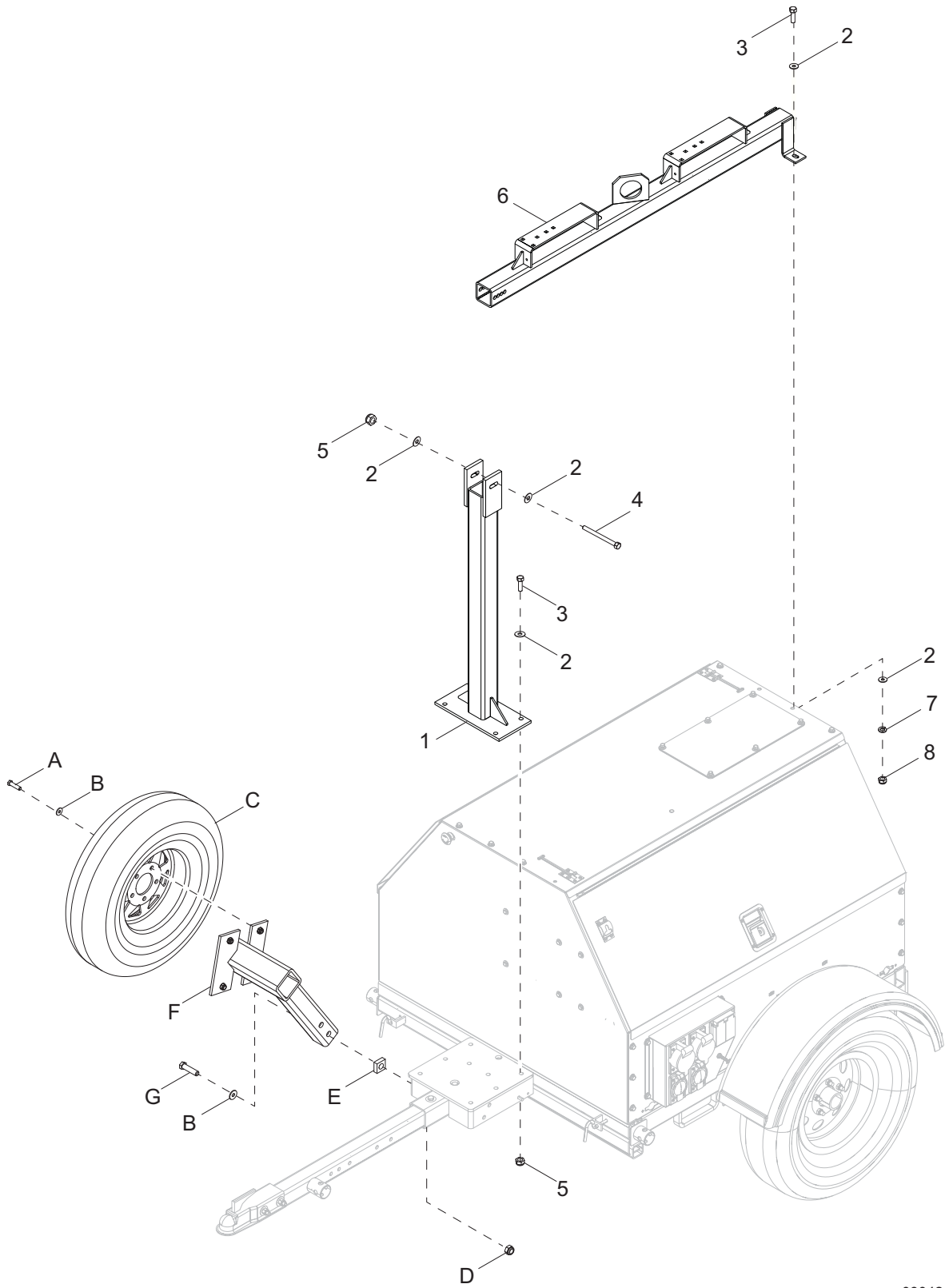
- BEFORE STARTING THE ENGINE / VOR DEM STARTEN DES MOTORS / ANTES DE ENCENDER EL MOTOR / AVANT DE FAIRE DÉMARRER LE MOTEUR:**
 - CHECK FUEL TANK FILLING LEVEL. VERIFY THE LEVEL OF COMBUSTIBLE. VÉRIFIEZ LE NIVEAU DU COMBUSTIBLE.
 - CHECK ENGINE OIL LEVEL. VERIFY THE OIL LEVEL OF THE MOTOR. VÉRIFIEZ LE NIVEAU DE L'HUILE DU MOTEUR.
 - CHECK COOLANT LEVEL. VERIFY THE LEVEL OF THE COOLANT. VÉRIFIEZ LE NIVEAU DU LIQUIDE DE RÉFRAIGÉRISEMENT.
 - MAKE SURE MAIN CIRCUIT BREAKER IS OFF. PROCEED TO STEP 5. (SEE SUPPLEMENTARY ASSEMBLY INSTRUCTIONS FOR THE CIRCUIT BREAKER.) PASSEZ À L'ÉTAPE 5. (VOIR LES INSTRUCTIONS COMPLÉMENTAIRES POUR LE DISJONCTEUR.)
- ALL CIRCUIT BREAKERS OFF / ALLE TRENNSCHALTER SIND AUSGESCHALTET / TODOS LOS CORTACIRCUITOS ESTÁN APAGADOS / TOUS LES DISJONCTEURS DU CIRCUIT SONT DÉSACTIVÉS!**
- START ENGINE / MOTOR STARTEN / ENCENDIA EL MOTOR / FAIRE DÉMARRER LE MOTEUR**
 ACTIVATE GLOW PLUGS CRANK ENGINE TO START RELEASE KEY
 GLOWPLUGGEN-AKTIVIEREN MOTOR DREHSTARTEN / GLEITSTREIFEN LAUFEN LASSEN SCHLÜSSEL FREI GEBEN
 ACTIVAR LAS BUJAS DE CALENTACIÓN DEBARRA LA RUEDA DE ARRANQUE PULSAR LA LLAVE DE ENCENDIDO
- TURN CIRCUIT BREAKERS ON / TRENNSCHALTER ENTSCHALTEN / ENCENDIA LOS CORTACIRCUITOS / ACTIVER LES DISJONCTEURS DU CIRCUIT**
- SHUT DOWN / AUSSCHALTEN / APAGUE / ÉTEINDRE**
- ALL CIRCUIT BREAKERS OFF / ALLE TRENNSCHALTER SIND AUSGESCHALTET / TODOS LOS CORTACIRCUITOS ESTÁN APAGADOS / TOUS LES DISJONCTEURS DU CIRCUIT SONT DÉSACTIVÉS!**
- STOP ENGINE / MOTOR STOPPEN / DETENGA EL MOTOR / ÉTEINDRE LE MOTEUR**



UNIT DECALS - LEFT SIDE INTERIOR

Item	Part No.	Qty	Description	Notes
1	10288	1	Decal, safety	
2	12142	1	Decal, ground	
3	27433	1	Decal, ultra low fuel only	

LIFT STRUCTURE TO UNIT



03042

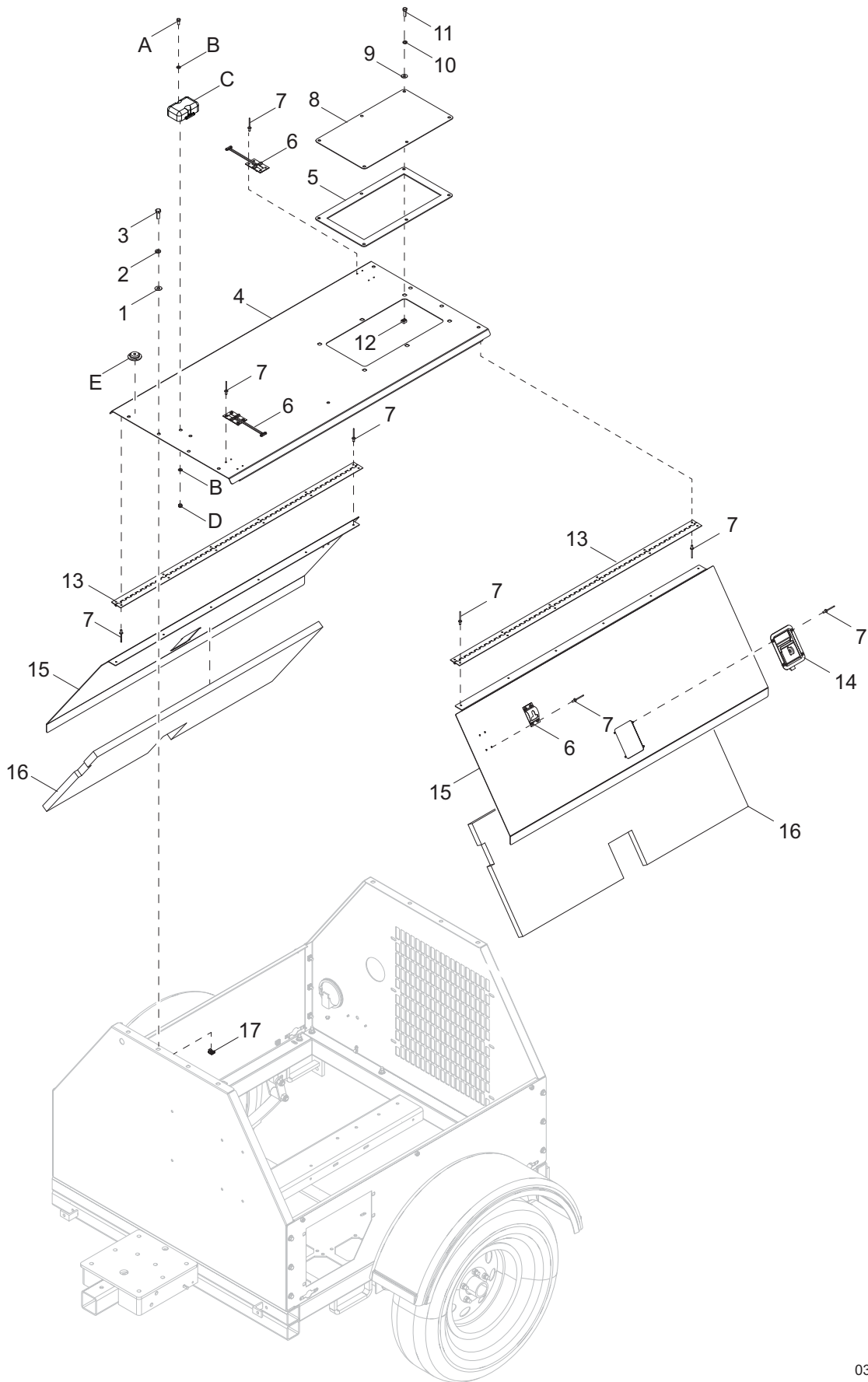
LIFT STRUCTURE TO UNIT

Item	Part No.	Qty	Description	Notes
1	12566B	1	Weldment, 36 inch lift structure - vertical	
2	60699	10	Washer, .500 flat 1.070/.080 - SS	
3	60683	6	Screw, .500-13 x 1.50 standard hex	
4	60705	1	Screw, .500-13 x 5.00 standard hex - SS	
5	60680	5	Nut, .500-13 nylock - SS	
6	12567B	1	Weldment, lift structure - horizontal	
7	60702	2	Washer, .500 split lock - SS	
8	60681	2	Nut, .500-13 hex - SS	

Spare Tire: (if equipped)

A	60275	2	Screw, .500-13 x 1.0 std hex, G5
B	60700	4	Washer, .500 flat 1.250/.060, SS
C	15540	1	Wheel, ST205/75R15, 1598 lb
D	62221	2	Nut, .500-13 nylock, G5
E	12081	2	Spacer
F	12235B	1	Weldment, spare tire holder
G	60388	2	Screw, .500-13 x 1.50 std hex, G5

ROOF AND DOORS TO UNIT



03043

ROOF AND DOORS TO UNIT

Item	Part No.	Qty	Description	Notes
1	60698	6	Washer, .375 flat .875/.040, SS	
2	60703	6	Washer, .375 split lock, SS	
3	60690	6	Screw, .375-16 x 1.0 std hex, SS	
4	10284W	1	Panel, roof w/access hole	
5	12195	1	Gasket, radiator plae	
6	12605	2	Latch, door - T style	
7	60268	48	Rivet, .188 diameter x .126 to .250 grip - SS	
8	25333W	1	Panel, back access	
9	60340	6	Washer, .312 flat .875/.040 - SS	
10	60341	6	Washer, M-8 split lock	
11	60507	6	Screw, .312-18 x 1.00 standard hex - SS	
12	15425	6	Nut, .312-18 cage	
13	16598	2	Hinge, door - .188 pin, 48.5 in. long	
14	15123	2	Latch, paddle - 7 lb spring	
15	16591W	2	Panel, door	
16	11724	2	Foam, door	
17	60657	6	Nut, .375-16 cage, G5	
--	A0000278989	2	Spacer, latch	
--	60260	2	Rivet, .188 dis x .375 to .50 grip - SS	

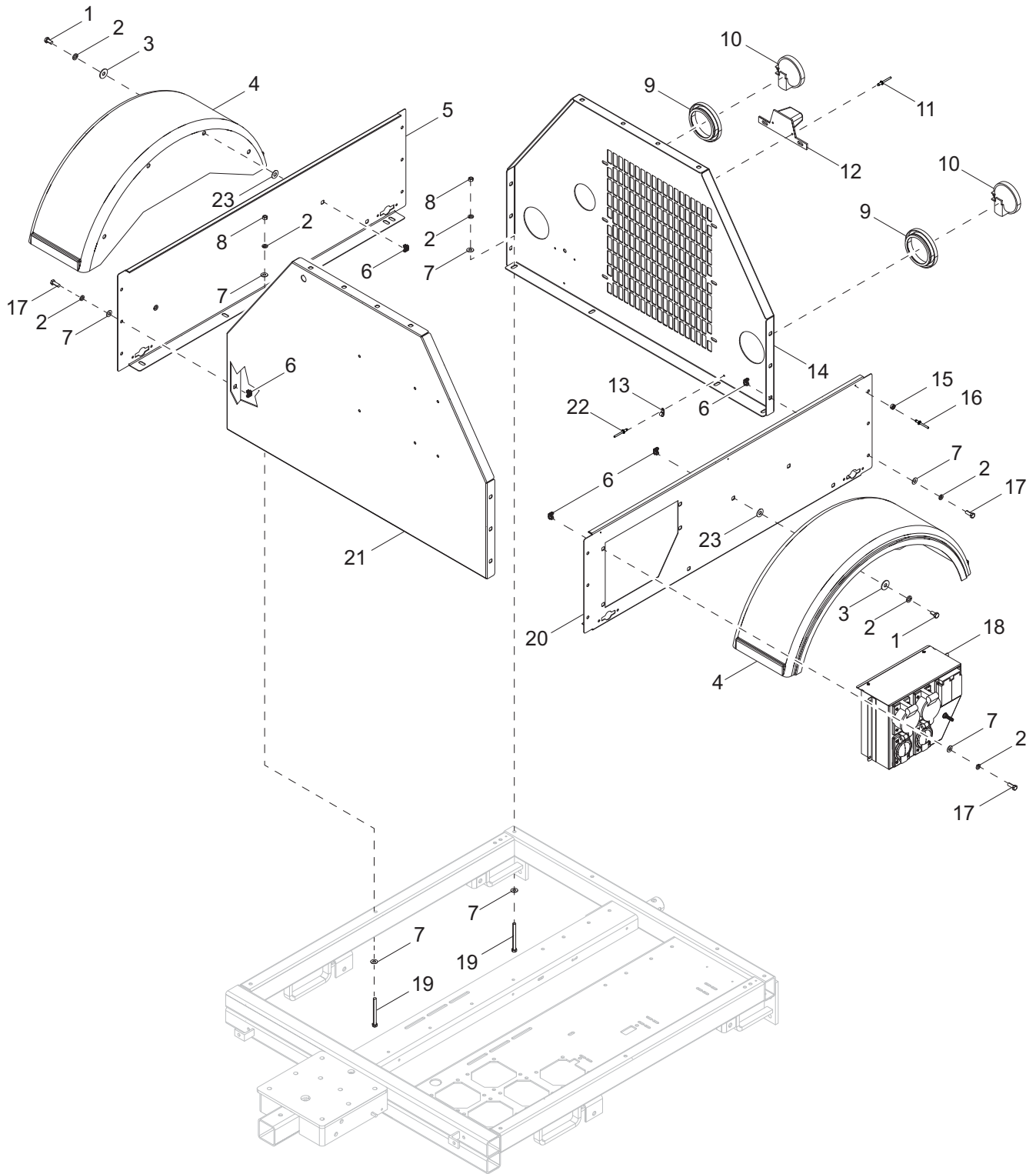
Telemetry: (if equipped)

A	61180	2	Screw, 10-32 x .750 pan Phillips
B	60067	4	Washer, flat .435/.060
C	37731	1	Telemetry, ZTR M6H
D	60061	2	Nut, 10-32 nylock
--	15425	6	Nut, .312-18 cage
--	60340	6	Washer, #10 flat .435/.060 - SS
--	60341	6	Washer, M8 split lock - SS
--	60657	6	Nut, .375-16 cage, G5
--	60507	6	Screw, .312-18 x 1.00 standard hex - SS
--	70113	1	Plug, open/closed 1.50 - universal
--	61055	1	Clip, rod hold
--	37785	1	Harness, ZTR M6H

Level Indicator: (if equipped)

E	14433	1	Level, eye
---	-------	---	------------

FRONT, REAR AND SIDE PANELS TO UNIT

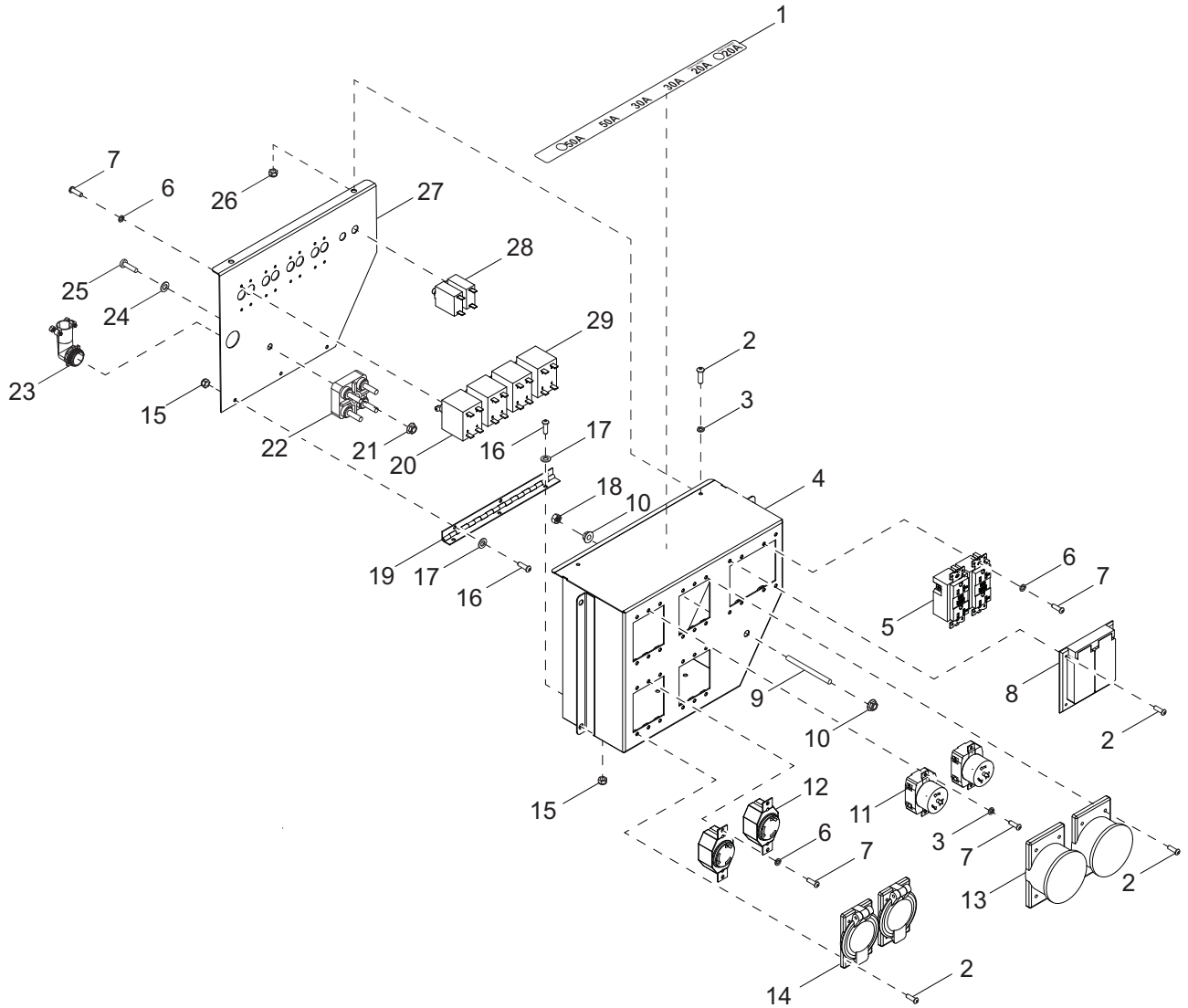


03044

FRONT, REAR AND SIDE PANELS TO UNIT

Item	Part No.	Qty	Description	Notes
1	60295	8	Screw, .375-16 x .750 standard hex - SS	
2	60703	40	Washer, .375 split lock - SS	
3	60729	8	Washer, .375 fender 1.500/.090	
4	11381	2	Fender, single wall black - plastic	
5	11507W	1	Panel, right side	
6	60657	30	Nut, .375-16 cage, G5	
7	60698	42	Washer, .375 flat .875/.040 - SS	
8	60140	10	Nut, .375-16 hex, G5	
9	10221	2	Grommet, rear light - rubber	
10	10220	2	Light, rear tail/turn - round	
11	60423	2	Rivet, .188 diameter x .250 to .375 grip	
12	10223	1	Assembly, license plate holder	
13	15628	2	Clamp, wire .38 - plastic	
14	35503W	1	Panel, rear	
15	15215	6	Bumper, rubber	
16	60267	6	Rivet, .125 diameter x .191 to .270 grip	
17	60690	22	Screw, .375-16 x 1.00 standard hex - SS	
18	A0000022643	1	Assembly, receptacle box	
19	60689	10	Screw, .375-16 x 4.00 standard hex - SS	
20	35504W	1	Panel, left side	
21	12012W	1	Panel, front	
22	60268	2	Rivet, .188 diameter x .126 to .250 grip	
23	60386	8	Washer, .375 flat .993/.064	
--	10264	1	Harness, left side trailer	
--	60829	1	Nut, .500-13 jam - SS	
--	15627	1	Clamp, tubing .625 heavy-duty	

RECEPTACLE BOX ASSEMBLY

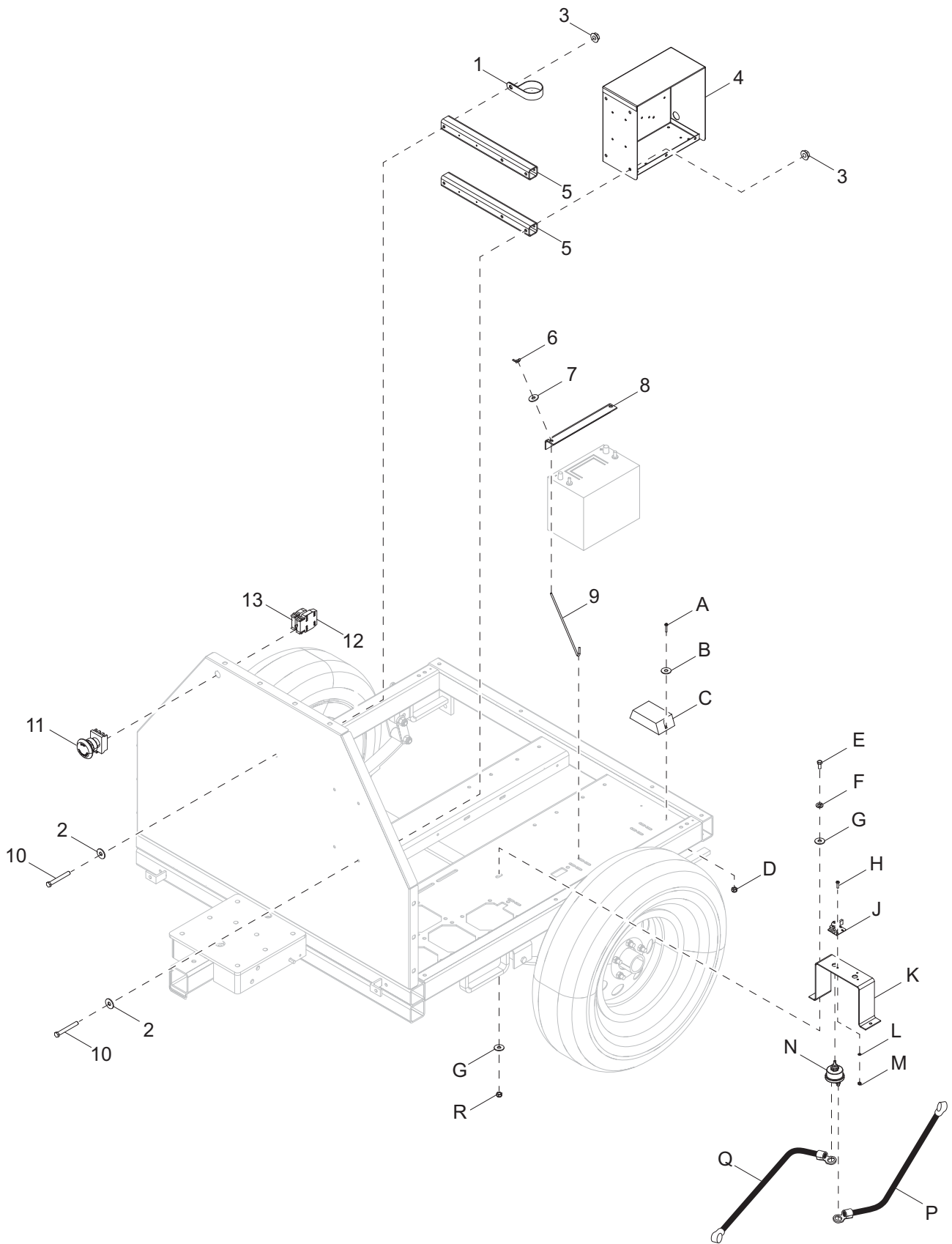


03045

RECEPTACLE BOX ASSEMBLY

Item	Part No.	Qty	Description	Notes
1	10792	1	Decal, aux breakers - 50,50,30,30,20,20	
2	60770	22	Screw, M4-.70 x 20 pan Phillips, G4.8	
3	60084	2	Washer, M4 flat	
4	10783W	1	Weldment, receptacle box	
5	14130	2	Receptacle, 120V/20A GFI (5-20R)	
6	60058	16	Washer, #6 split lock	
7	60405	16	Screw, 6-32 x .250 pan Phillips, G2	
8	15849	1	Cover, receptacle - 20A GFCI dual	
9	63241	1	Stud, .312-18 x 3.00, G5	
10	60095	2	Nut, .312-18 serrated flange	
11	14137	2	Receptacle, 240V/30A twist (L6-30R)	
12	18089	2	Receptacle, 240V/50A twist-lock	
13	65460	2	Cover, receptacle - 20/30A twist-lock	
14	65467	2	Cover, receptacle - 50A twist (deep)	
15	60038	6	Nut, M5-.80 nylock	
16	60044	6	Screw, M5-.80 x 12 pan Phillips, G4.8	
17	60041	6	Washer, M5 flat	
18	60285	4	Nut, .312-18 hex, G2	
19	10784	1	Hinge, piano - 9 in	
20	65492	2	Breaker, 50A, 250V, 2-pole w/aux	
21	14231	1	Nut, 10-32 hex, G2	
22	65519	1	Block, terminal - 4 pole stud type	
23	65535	1	Clamp, 90 degree 3/4 in	
24	60237	1	Washer, #10 flat .495/.036	
25	61180	1	Screw, M8-1.25 x 30 serrated flange hex, G8.8	
26	60051	2	Nut, M4 -.70 nylock, G8.8	
27	10771W	1	Panel, outlet	
28	65849	2	Breaker, 20A, 120V, 1-pole, push button	
29	66097	2	Breaker, 30A, 250V, 2-pole, 1 lever	
--	30782	1	Harness, control box to generator	
	A0000022643	1	Assembly, receptacle box	Items 1-28

CONTROL BOX TO UNIT

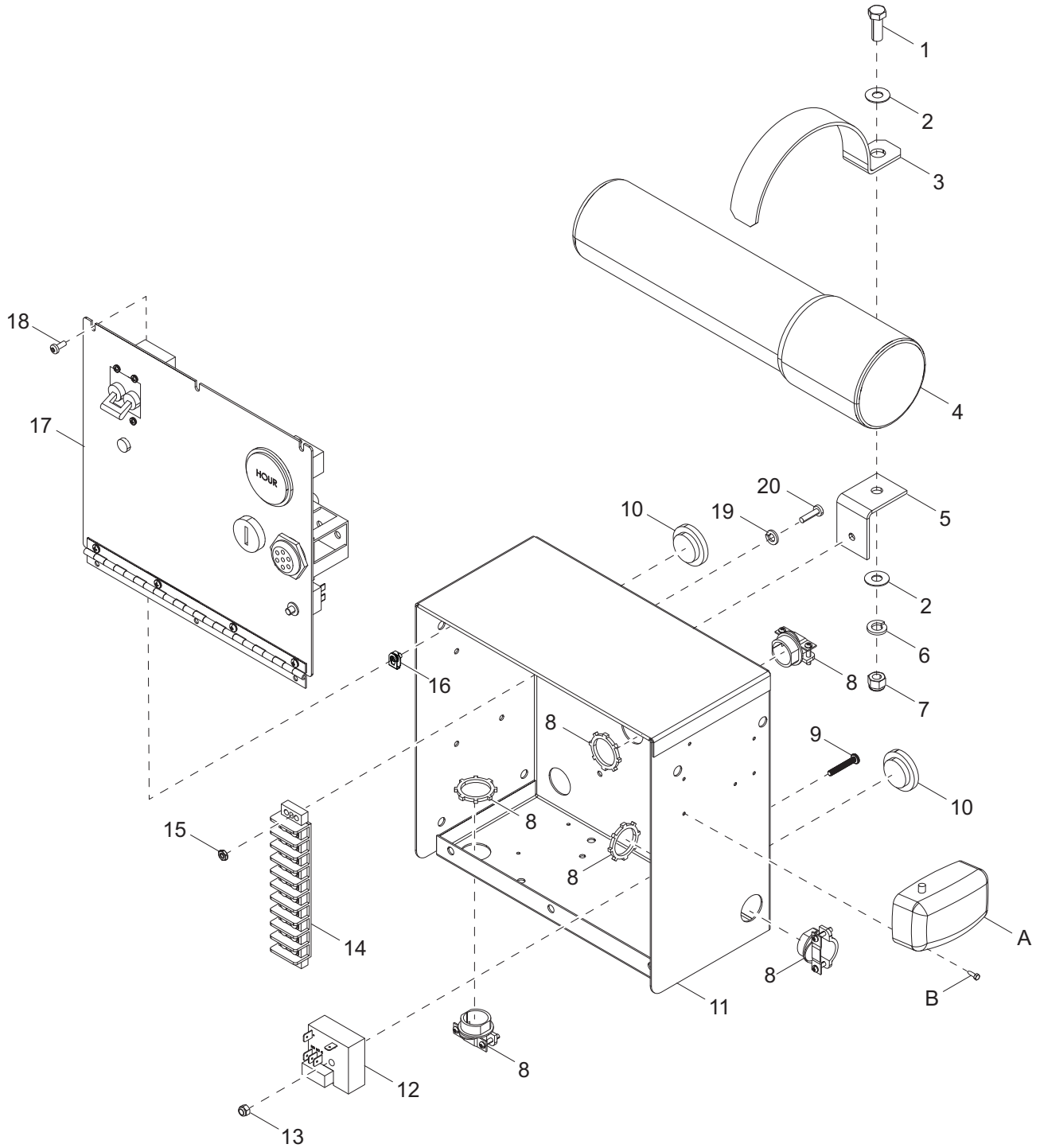


03046

CONTROL BOX TO UNIT

Item	Part No.	Qty	Description	Notes
1	60649	1	Clamp, tubing - .750 heavy duty	
2	60340	6	Washer, .312 flat .875/.040, SS	
3	60095	6	Nut, .312-18 serrated flange	
4	<i>Page 16</i>	1	Control box	
5	11543B	2	Spacer, control box	
6	60090	2	Nut, wing - .250 x 20	Included w/item 9
7	60089	2	Washer, .250 flat	Included w/item 9
8	12924B	1	Bracket, battery hold down	
9	14146	2	Bolt, J - .250-20 x 10.0	
10	62043	6	Screw, .312-18 x 2.25 std hex, SS	
11	65470	1	Switch, E-stop operator	
12	65580	1	Block, E-stop contactor N.C.	
13	65584	1	Block, E-stop contactor N.O. / N.O.	
	22550	1	Assembly, E-stop switch	Items 11-13
<i>Battery Charger: (if equipped)</i>				
A	60694	2	Screw, 8-32 x .750 pan phil, SS	
B	60067	2	Washer, #10 flat .435/.060, SS	
C	65326	1	Charger, battery - 2A	
D	60270	2	Nut, 8-32 nylock	
--	21259	1	Decal, battery charger	
<i>Battery Disconnect: (if equipped)</i>				
E	60028	2	Screw, .312-18 x 1.0 std hex, G5	
F	60271	2	Washer, .312 split lock	
G	60119	2	Washer, .312 flat .875/.070	
H	60277	2	Screw, 10-32 x .500 pan phil, G2	
J	65499	1	Assembly, switch lockout lever	
K	13654B	1	Bracket, battery disconnect	
L	60067	2	Washer, #10 flat .435/.060, SS	
M	60061	2	Nut, 10-32 nylock	
N	65498	1	Switch, disconnect	
P	10699	1	Cable, battery - 24 in. 4GA black, .375 lug	
Q	15706	1	Cable, battery - 46 in. 4GA red, .375 lug	
R	60303	2	Nut, .312-18 nylock, G2	
--	12535	1	Cable, battery - 25 in. 4GA black, .500 lug	

CONTROL BOX ASSEMBLY

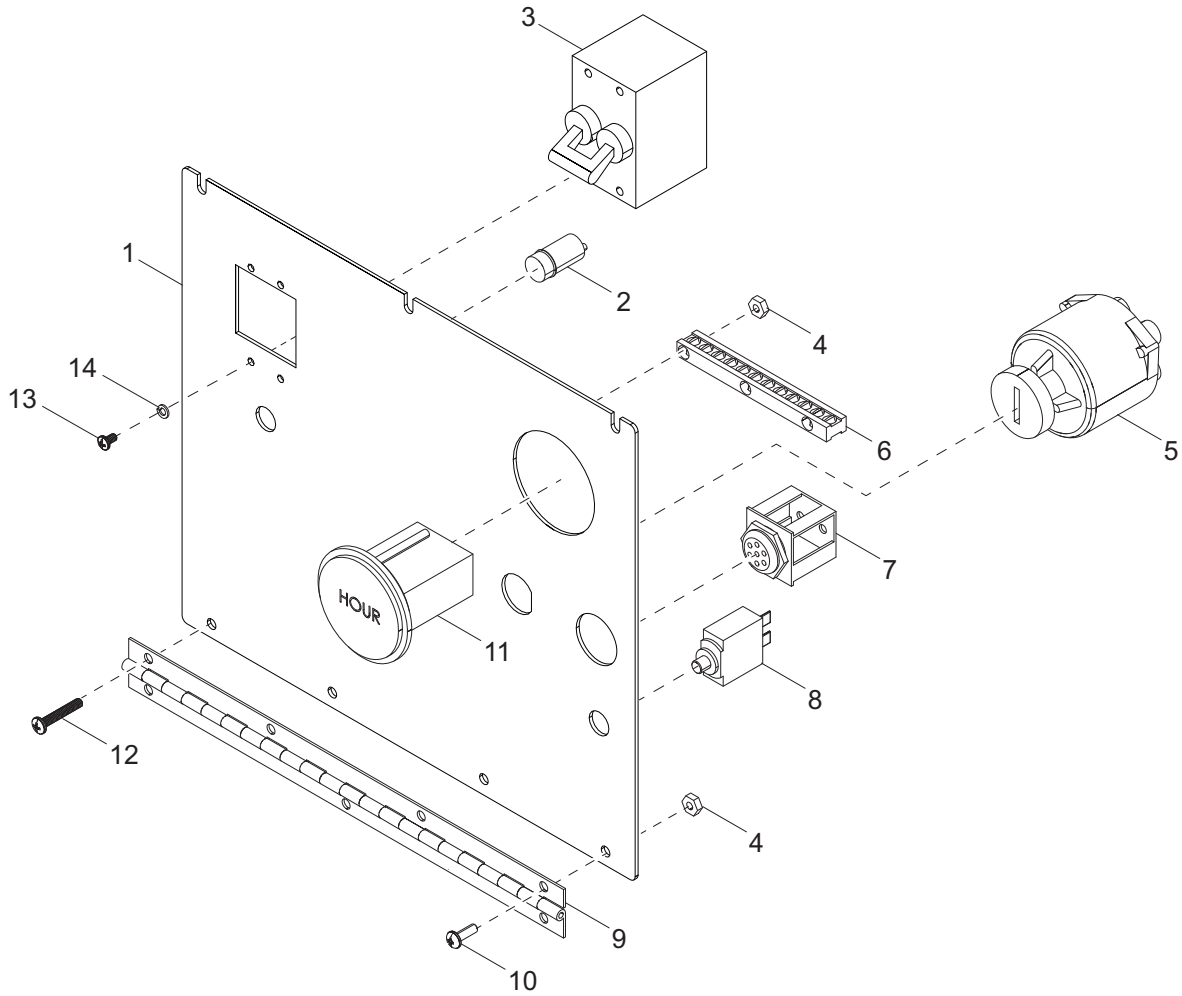


03047

CONTROL BOX ASSEMBLY

Item	Part No.	Qty	Description	Notes
1	60690	1	Screw, .375-16 x 1.00 standard hex - SS	
2	60698	2	Washer, .375 flat .875/.040 - SS	
3	10241	1	Clamp, 2,50	
4	11121	1	Manual holder, tube - black	
5	32731B	1	Bracket, manual holder	
6	60703	1	Washer, .375 split lock - SS	
7	60140	1	Nut, .375-16 hex, G5	
8	14219	3	Strain relief, .750 Romex	
9	60396	1	Screw, 10-32 x 1.250 pan Phillips, G2	
10	60746	4	Plug, hole 1.094 recessed - black	
11	13666B	1	Box, control	
12	14201	1	Relay, 10A SPDT 12VDC - 15 sec. time delay	
13	60061	1	Nut, 10-32 nylock	
14	14203	1	Block, terminal 10 position, 30A, 600V	
15	14231	2	Nut, 10-32 hex, G2	
16	63105	6	Nut, 8-32 U-clip, G5	
17	68898	1	Assembly, control panel	
18	60526	6	Screw, 8-32 x .500 pan Phillips, G2	
19	60252	2	Washer, #10 split lock	
20	60062	2	Screw, 10-32 x .750 pan Phillips, G2	
--	10463	1	Wire group, control box wiring	
--	24051	1	Harness, control box to generator	
--	A0000129023	1	Wire, engine	
<i>Interior Light: (if equipped)</i>				
A	11947	1	Light, interior w/switch	
B	60364	4	Screw, 10-16 x .500 standard hex, G2, self-drilling	

CONTROL PANEL ASSEMBLY

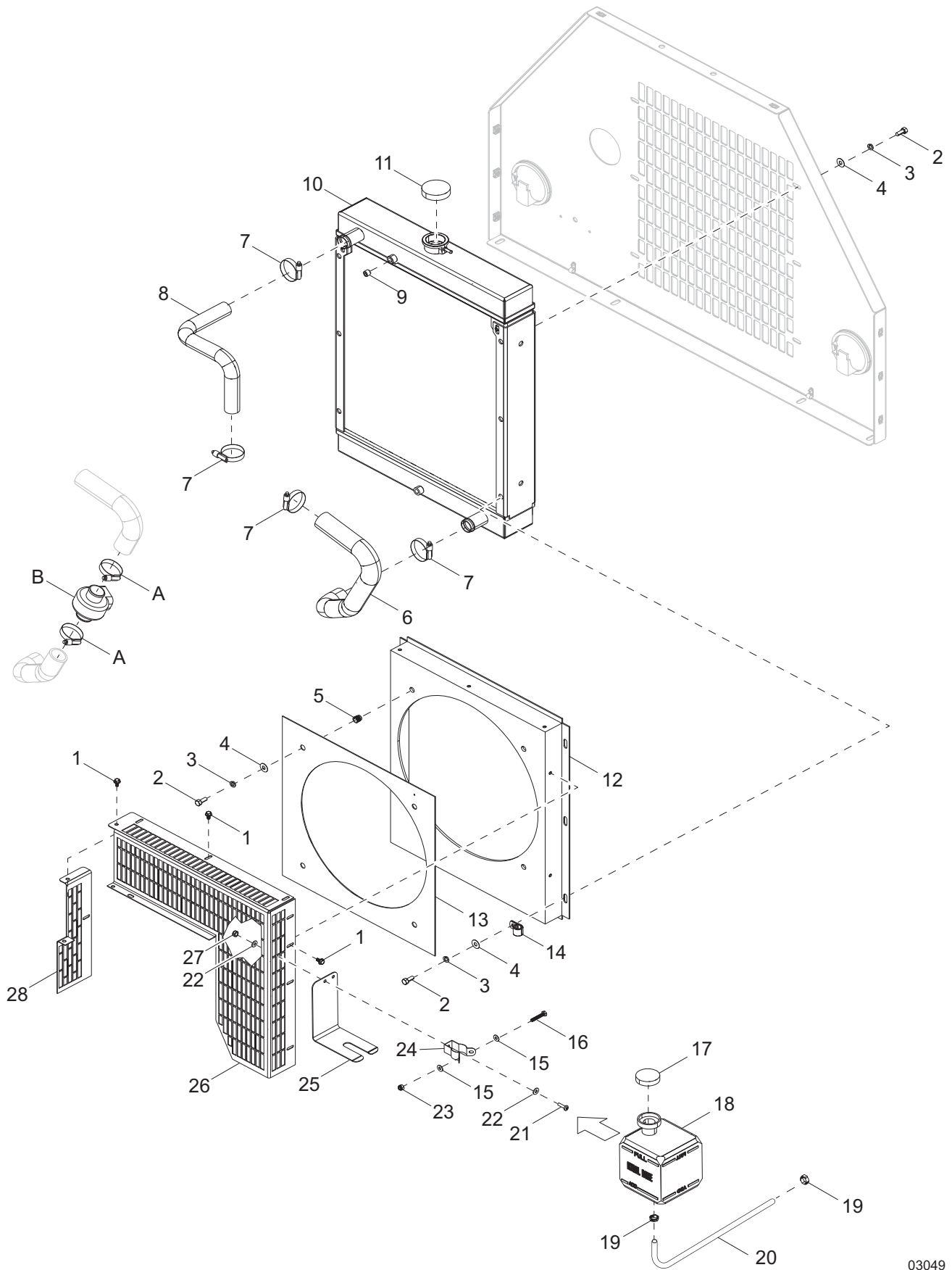


03048

CONTROL PANEL ASSEMBLY

Item	Part No.	Qty	Description	Notes
1	11889	1	Panel, control 15KW	
2	65388	1	Light, indicator red, 12VDC	
3	60736	1	Breaker, 70A, 250V 2 pole AM stud term - w/aux	
4	60318	4	Nut, 8-32 hex, G5	
5	15195SRV	1	Switch, key	
6	14204	1	Kit, ground bar	
7	13264SRV	1	Glow plug indicator	
8	65850	1	Breaker, 10A, 240V, 1-pole, push button	
9	13677	1	Hinge, continuous - 11 in	
10	62054	2	Screw, 8-32 x .500 pan Phillips - SS	
11	15085	1	Gauge, hour meter	
12	60406	2	Screw, 8-32 x 1.0 pan Phillips, SS	
13	60405	4	Screw, 6-32 x .250 pan Phillips, G2	
14	60058	4	Washer, #6 split lock	
--	68897	1	Wiring group, control panel	

COOLING SYSTEM ASSEMBLY

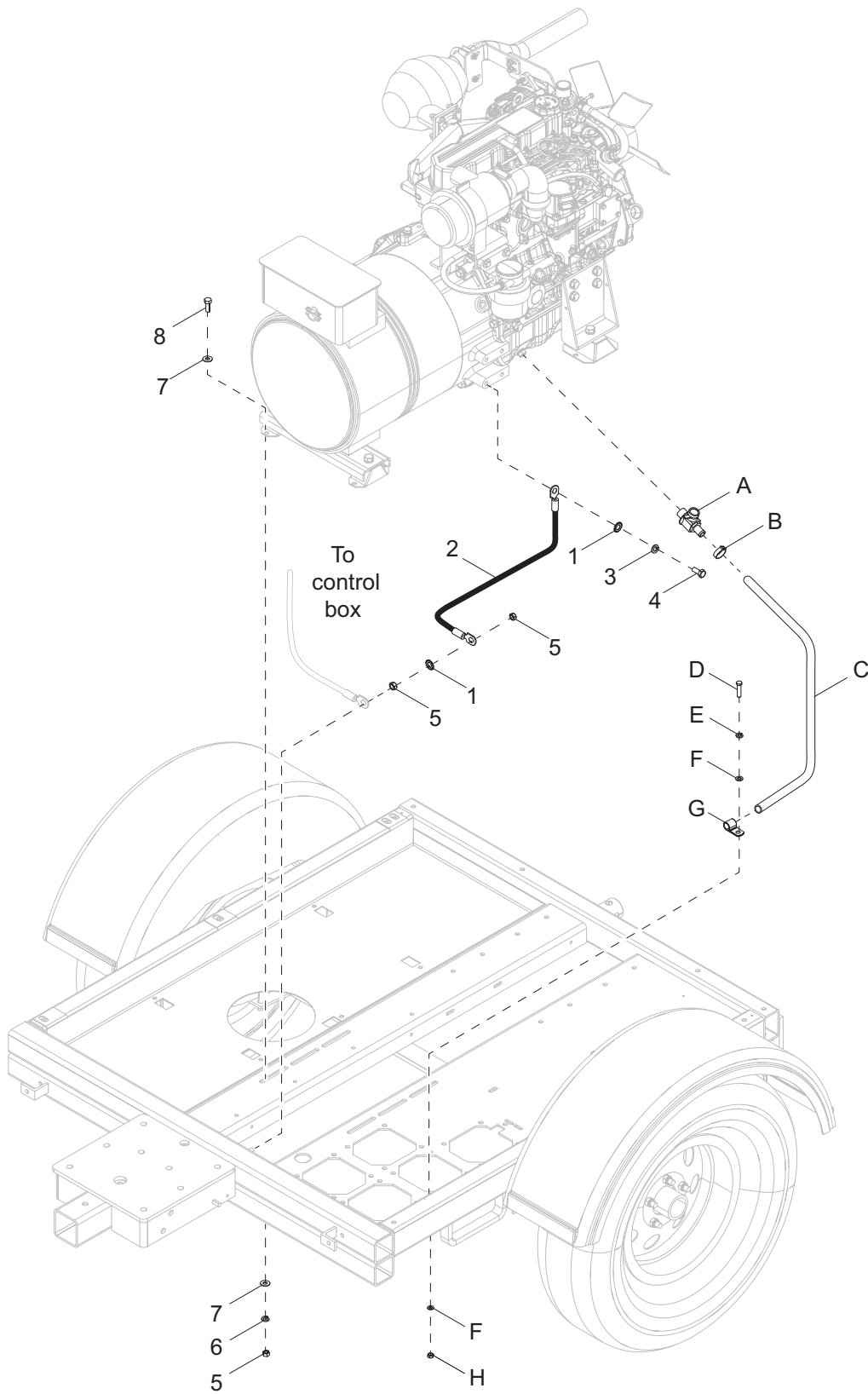


03049

COOLING SYSTEM ASSEMBLY

Item	Part No.	Qty	Description	Notes
1	60115	8	Screw, M6-1.00 x 12 serrated flange, G8.8	
2	60687	16	Screw, .312-18 x .750 standard hex - SS	
3	60341	16	Washer, M8 split lock - SS	
4	60340	16	Washer, .312 flat .875/.040	
5	62133	4	Insert, threaded .312-18 splined .027-.150 grip	
6	15185	1	Hose, radiator - lower	
7	15422	4	Clamp, hose - SAE 020 (.75-1.75)	
8	11891	1	Hose, radiator - upper	
9	60776	1	Fitting, plug .250NPT flush mount - brass	
10	26305	1	Radiator, 15/20/25 - aluminum	
11	19219	1	Cap, radiator 14.7 PSI	
12	11626B	1	Weldment, fan shroud	
13	11757B	1	Plate, shroud adapter	
14	15627	2	Clamp, tubing .625 - heavy duty	
15	60696	2	Washer, .250 flat .625/.050 - SS	
16	60414	1	Screw, .250-20 x 1.50 standard hex, G5	
17	19714	1	Cap, overflow jug	
18	20287	1	Jug, overflow - 2 qt	
19	60777	2	Clamp, hose - .312, crimp style	
20	16282	1	Hose, fuel - .312 ID x 42.00	
21	61180	2	Screw, 10-32 x .750 pan Phillips, SS	
22	60067	4	Washer, #10 flat .435/.060, SS	
23	60144	1	Nut, .250-20 nylock, G5	
24	19726	1	Clamp, overflow jug	
25	22419B	1	Bracket, support overflow jug - black	
26	A0000260357	1	Panel, fan guard - right	
27	60061	2	Nut, 10-32 nylock	
28	A0000263673	1	Weldment, fan guard - left	
<i>Engine Heater: (if equipped)</i>				
A	15422	2	Clamp, hose - SAE 020 (.75-1.75)	
B	65649	1	Heater, engine - lower radiator hose	

ENGINE AND GENERATOR TO UNIT



03050

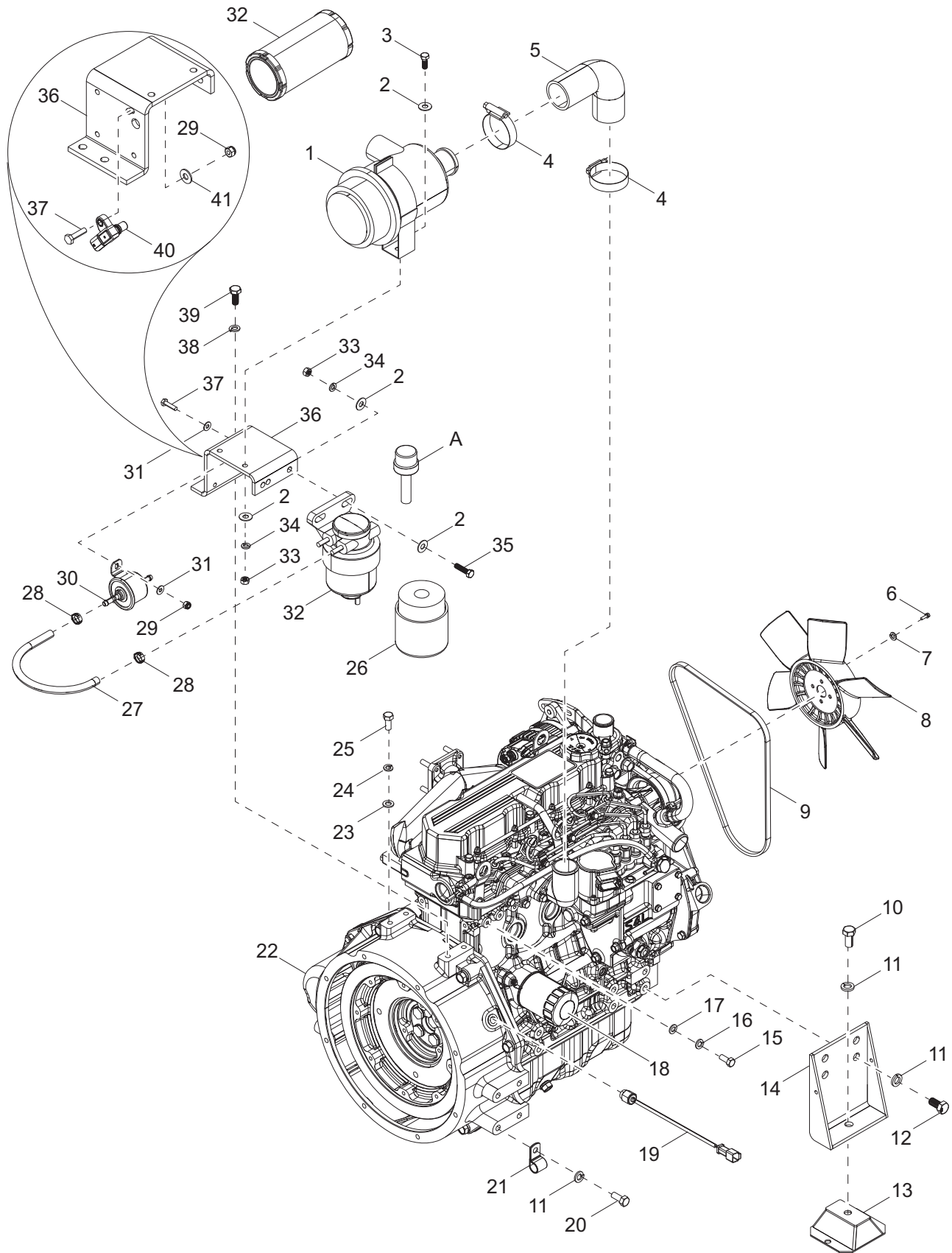
ENGINE AND GENERATOR TO UNIT

Item	Part No.	Qty	Description	Notes
1	60369	2	Washer, M12 external star	
2	16155	1	Assembly, wire - 4000 engine/chassis ground	
3	60702	2	Washer, M12 - split lock	
4	60762	1	Screw, M12 - 1.25 x 20, standard hex, G10.9	
5	60140	6	Nut, .375-16 hex, G5	
6	60206	8	Washer, .375 split lock	
7	60698	16	Washer, .375 flat .875/.040, SS	
8	60205	8	Screw, .375-16 x 1.0 std hex, G5	

Drain Valve: (if equipped)

A	60766	1	Valve, drain 18mm - 1.5 with nipple
B	60777	1	Clamp, hose - .312, crimp style
C	50051	1.67 ft	Hose, fuel - .375 ID, 50 psi
D	60205	1	Screw, .375-16 x 1.0 std hex, G5
E	60698	2	Washer, .375 flat .875/.040, SS
F	60206	1	Washer, .375 split lock
G	60716	1	Clamp, tubing - 1.50 light duty
H	60144	1	Nut, .25-20 nylock, G5

ENGINE ASSEMBLY - LEFT SIDE



03051

ENGINE ASSEMBLY - LEFT SIDE

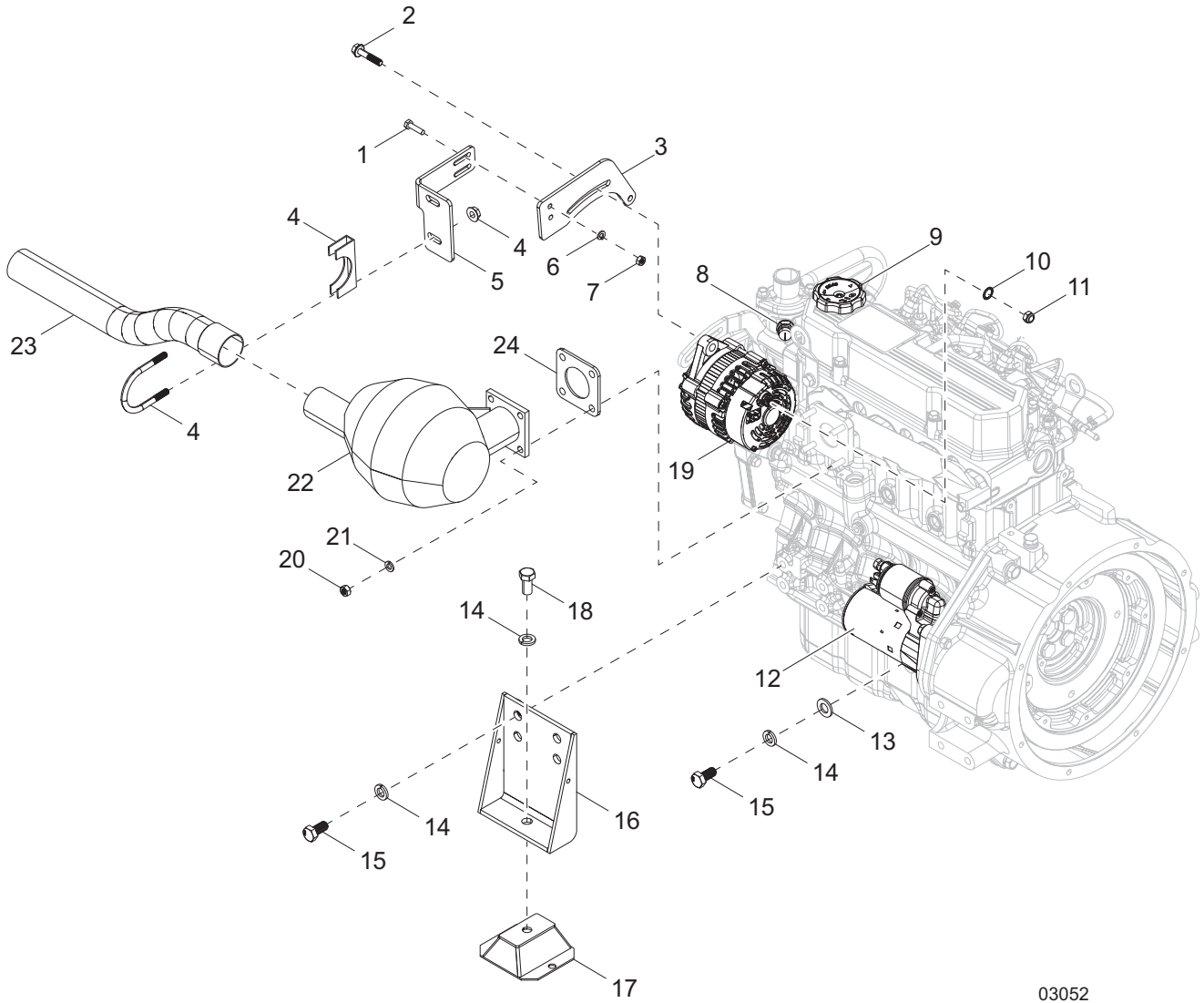
Item	Part No.	Qty	Description	Notes
1	34066	1	Filter, air w/bracket	
2	60119	8	Washer, .312 flat .875/.070	
3	61061	2	Screw, .312-18 x .875 standard hex, G5	
4	60316	2	Clamp, hose SAE 032 (1.56-2.50)	
5	10000044679	1	Hose, air cleaner	
6	63288	4	Screw, M6-1.0 x 12 pan head, G8.8	
7	60286	4	Washer, .250 split lock	
8	16742	1	Fan, Mitsubishi	
9	16692	1	V-belt, Mitsubishi	
10	60275	1	Screw, .500-13 x 1.00 standard hex, G5	
11	60702	11	Washer, .500 split lock - SS	
12	61087	4	Screw, M12-1.25 x 25 standard hex, G10.9	
13	11524	1	Isolator, 4.38 x 4.00 x 1.50 - rubber	
14	11732B	1	Weldment, engine mount - black	
15	60166	1	Washer, M8 flat	
16	60271	1	Washer, .312 split lock	
17	60113	1	Screw, M8-1.25 x 16 standard hex, G8.8	
18	70124	1	Filter, oil	
19	A0000116158	1	Pick-up, MAG	
20	60762	2	Screw, M12-1.25 x 20 standard hex, G10.9	
21	60649	2	Clamp, tubing .750 heavy duty	
22	10000043318	1	Engine, Mitsubishi S4L2	
23	60027	1	Washer, M10 flat	
24	60026	1	Washer, M10 split lock	
25	60495	1	Screw, M10-1.25 x 16 standard hex, G8.8	
26	10000023037	1	Element, fuel filter	
27	16869	1	Hose, .312 ID x 11.500	
28	60777	2	Clamp, hose .312 - crimp style	
29	60144	3	Nut, .250-20 nylock, G5	
30	13278SRV	1	Pump, fuel - electric	
31	60696	4	Washer, .250 flat .625/.050 - SS	
32	10000022110	1	Assembly, fuel filter	
33	60285	4	Nut, .312-18 hex, G2	
34	60271	5	Washer, .312 split lock	
35	62001	2	Screw, .312-18 x 1.250 standard hex, G5	
36	11745B	1	Bracket, fuel/air filter - black	
37	60422	2	Screw, M10-1.25 x 25 standard hex, G8.8	
38	60026	2	Washer, M10 split lock	
39	60393	3	Screw, .250-20 x 1.00 standard hex, G5	
40	72175SRV	1	Sensor, atmospheric pressure	
41	60243	1	Washer, .250 flat .735/.060 - SS	
--	10000003422	4	Plug, glow	

Heated Fuel Filter: (if equipped)

A	13876	1	Kit, heater - fuel filter, Mitsubishi
---	-------	---	---------------------------------------

Note: Engine and generator parts used in all Generac Mobile Products equipment carry the Original Equipment Manufacturer (OEM) warranty unless otherwise stated. OEM warranty parts must be purchased through an OEM dealer. Please contact Generac Mobile Products with questions.

ENGINE ASSEMBLY - RIGHT SIDE



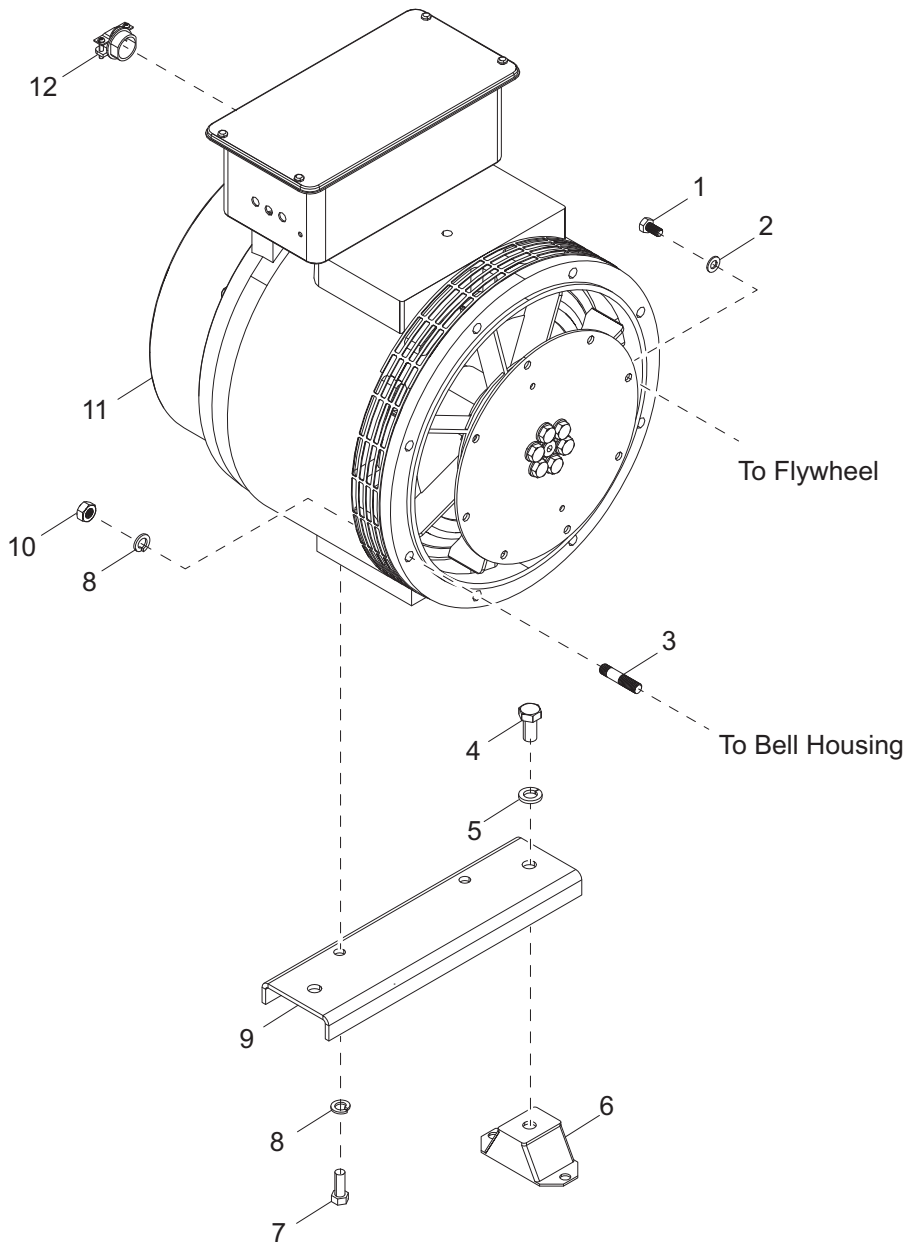
03052

ENGINE ASSEMBLY - RIGHT SIDE

Item	Part No.	Qty	Description	Notes
1	60393	2	Screw, .250-20 x 1.00 standard hex, G5	
2	61082	1	Screw, M8-1.25 x 20 standard hex, G8.8	
3	14342B	1	Bracket, kegger muffler	
4	18823	1	Clamp, muffler 2.00	
5	14343B	1	Bracket, kegger muffler	
6	60286	2	Washer, .250 split lock	
7	60284	2	Nut, .250-20 hex, G2	
8	16678	1	Switch, temperature sensor	
9	11147	1	Cap, oil filler	
10	60747	1	Washer, .375 internal star	
11	60144	1	Nut, .250-20 nylock	
12	A0000163161	1	Starter	
13	60012	1	Washer, M12 flat	
14	60702	6	Washer, .500 split lock - SS	
15	61087	4	Screw, M12-1.25 x 25 standard hex, G10.9	
16	11732B	1	Weldment, engine mount - black	
17	11524	1	Isolator, 4.38 x 4.00 x 1.50 - rubber	
18	60275	1	Screw, .500-13 x 1.00 standard hex, G5	
19	A0000163162	1	Alternator	
20	60032	4	Nut, M8-1.25 hex, G8.8	
21	60271	4	Washer, .312 split lock	
22	17779	1	Muffler	
23	17809	1	Pipe, exhaust	
24	12735	1	Gasket, muffler	
--	A0000163166	1	Switch, oil pressure	
--	A0000129023	1	Harness, engine - Mitsubishi	

Note: Engine and generator parts used in all Generac Mobile Products equipment carry the Original Equipment Manufacturer (OEM) warranty unless otherwise stated. OEM warranty parts must be purchased through an OEM dealer. Please contact Generac Mobile Products with questions.

GENERATOR ASSEMBLY



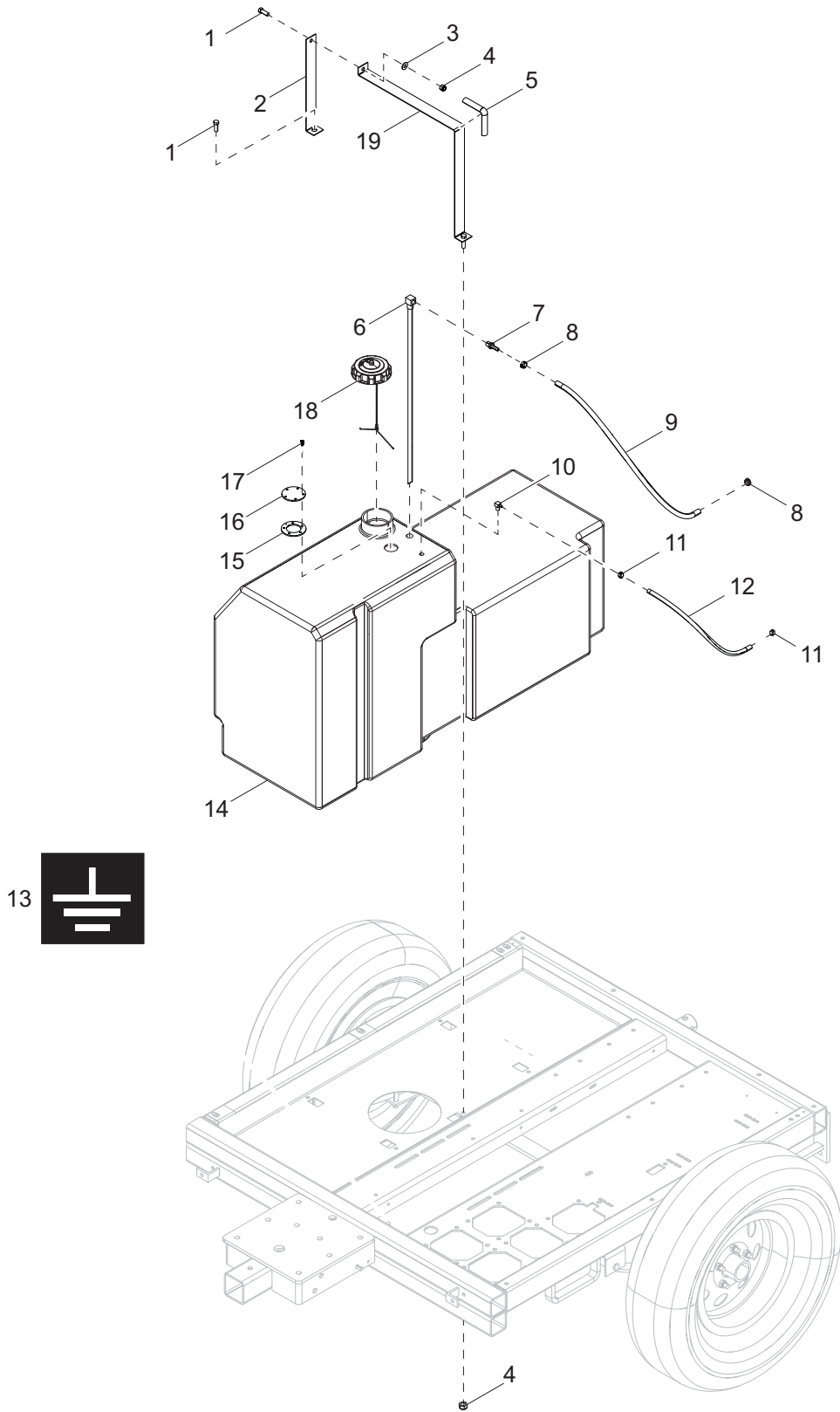
03053

GENERATOR ASSEMBLY

Item	Part No.	Qty	Description	Notes
1	60165	8	Screw, M8-1.25 x 16 standard hex, G10.9	
2	60166	8	Washer, M8 flat	
3	60795	8	Stud, M10-1.25 x 48 - 2 ends threaded	
4	60275	2	Screw, .500-13 x 1.00 standard hex, G5	
5	60702	2	Washer, .500 split lock - SS	
6	15421	2	Isolator, 80-200 pounds - rubber	
7	60205	2	Screw, .375-16 x 1.99 standard hex, G5	
8	60026	10	Washer, M10 split lock	
9	11597B	1	Bracket, generator mount	
10	60344	8	Nut, M10-1.25 hex - SS	
11	11327	1	Generator, 333CSA3024, 15KW, 60HZ	
12	14219	1	Strain relief, .750 Romex - w/nut	
--	65684	1	Harness, lead	
--	10000009795	1	Voltage regulator	

Note: Engine and generator parts used in all Generac Mobile Products equipment carry the Original Equipment Manufacturer (OEM) warranty unless otherwise stated. OEM warranty parts must be purchased through an OEM dealer. Please contact Generac Mobile Products with questions.

FUEL TANK TO UNIT

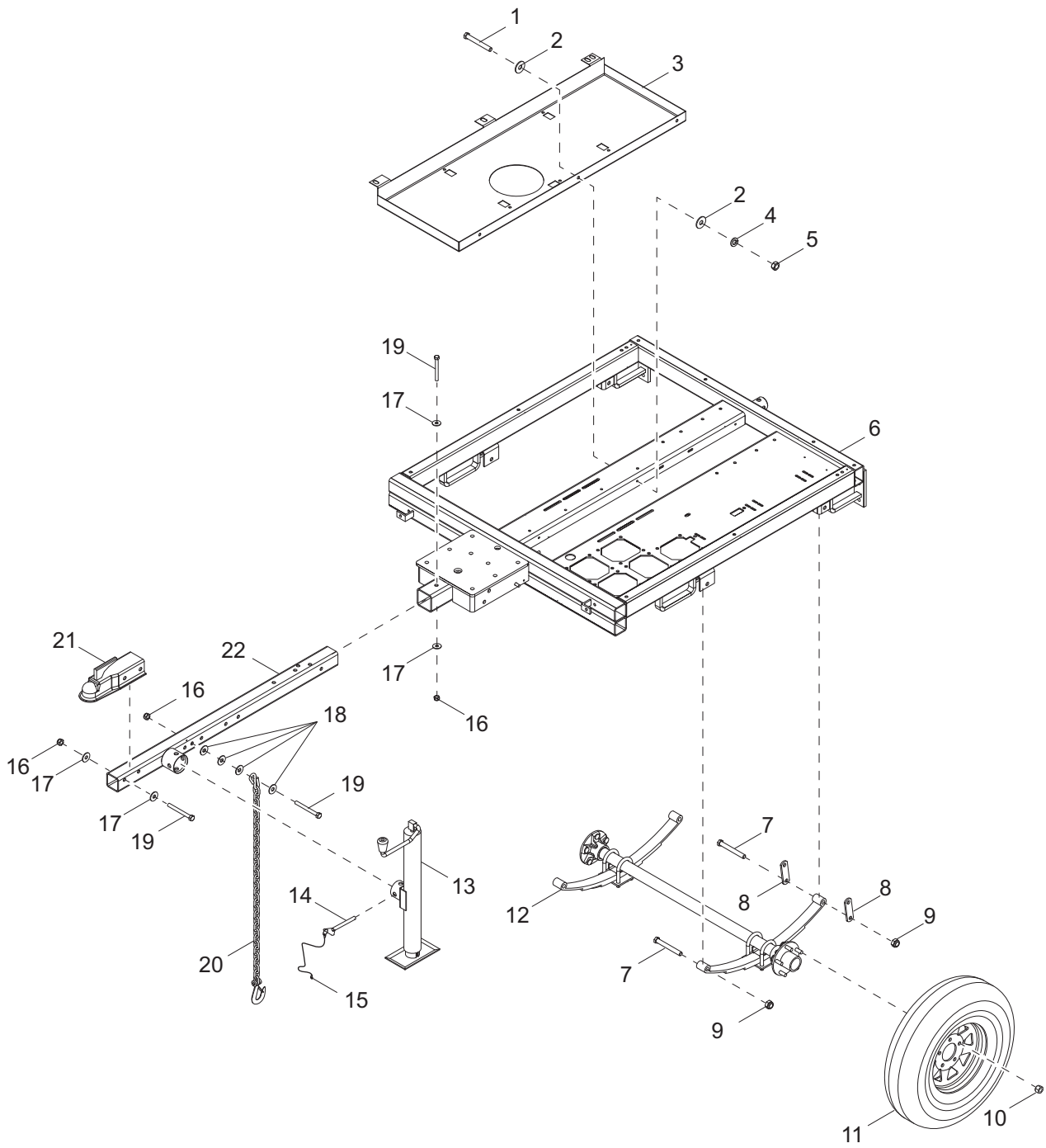


03054

FUEL TANK TO UNIT

Item	Part No.	Qty	Description	Notes
1	60690	2	Screw, .375-16 x 1.00 standard hex, SS	
2	12361B	1	Weldment, fuel tank strap	
3	60698	1	Washer, .375 flat .875/.040, SS	
4	60358	1	Nut, .375-16 nylock, G5	
5	50197	.5 ft	Weatherstripping, .06 x 1.00	
6	12259	1	Fuel pick-up tube - 24 in	
7	15142	1	Fitting, strt - .250NPT x .312 barb	
8	60777	2	Clamp, hose - .312, crimp style	
9	50018	3.0 ft	Hose, fuel .312 ID 50 PSI SAE 30R7	
10	16271	1	Fitting, 90° - .250NPT x .188 barb	
11	60778	2	Clamp, hose - .188, crimp style	
12	14211	2.0 ft	Hose, fuel - .188 ID, 50 psi, SAE 30R7	
13	12142	1	Decal, ground	
14	39998	1	Tank, fuel - 56 gallon	34780 -tank only
15	50745	1	Gasket, plate cover	
16	50742	1	Plate, cover	
17	60068	5	Screw, 10-24 x .500 pan Phillips, G2	
18	12137	1	Cap, fuel tank, with lanyard	
19	12359B	1	Weldment, fuel strap -large	

TRAILER ASSEMBLY



03055

TRAILER ASSEMBLY

Item	Part No.	Qty	Description	Notes
1	60690	3	Screw, .375-16 x 1.0 std hex, SS	
2	60698	6	Washer, .375 flat .875/.040, SS	
3	12358B	1	Pan, fuel tank	
4	60703	3	Washer, .375 split lock, SS	
5	60140	3	Nut, .375-16 hex, G5	
6	13335B	1	Weldment, chassis	
7	60503	6	Screw, shackle, .562-18 x 3.0 std hex, G5	
8	19637	4	Plate, shackle bracket	
9	60504	6	Nut, .562-18 lock, G5	
10	60096	10	Nut, .500-20 lug, G5	
11	15540B	2	Wheel, ST205/75R, 1598 lb	
12	11385	1	Axle, 2200 lb.	
13	13051	1	Jack, top wind - 2000 lb	
14	23256	4	Pin, jack - 2000 lb, tube mount	qty 1 each
15	12647	4	Cable, tether - jack pin and ground rod cover	qty 1 each
16	62221	4	Nut, .500-13 nylock, G5	
17	60309	8	Washer, flat 1.060/.090	
18	60416	8	Washer, .500 flat 1.375/.090	
19	50215	4	Screw, .500-13 x 4.0 std hex, G5	
20	23367	2	Chain, safety	
21	16830	1	Coupler, 2.0 ball/2.5 channel	
22	70184B	1	Weldment, removable tongue - tube mnt jack	

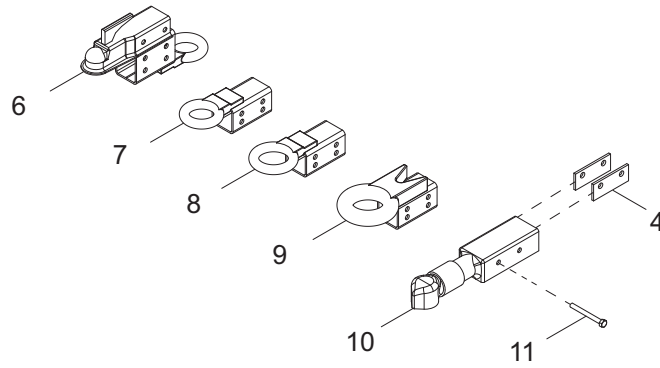
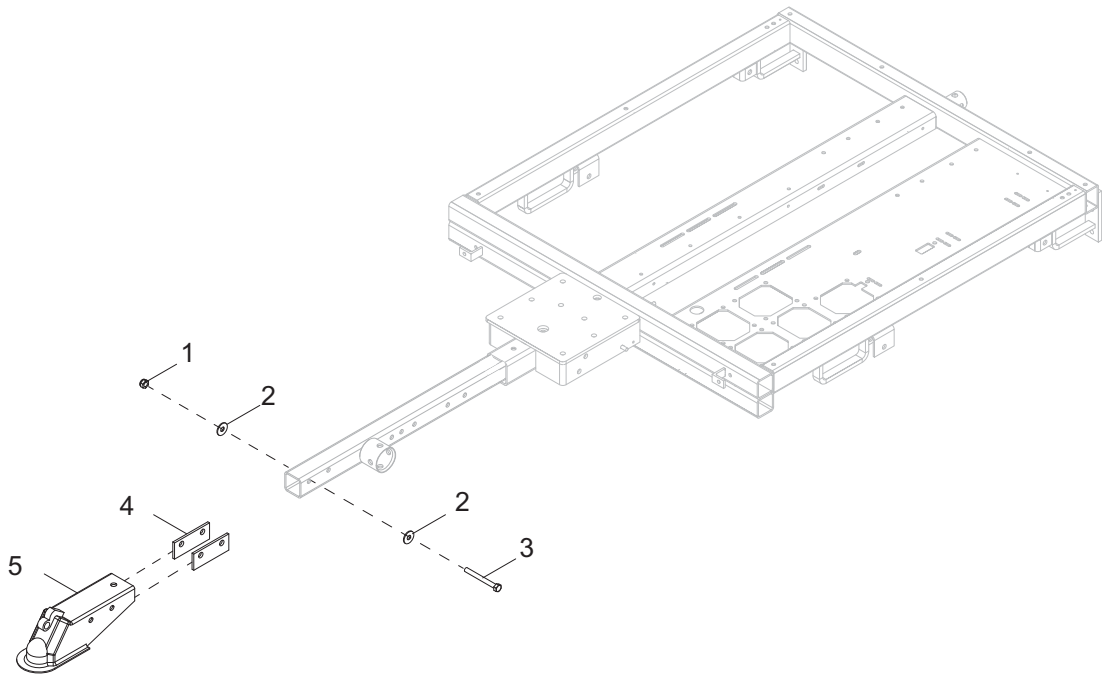
Containment: (if equipped)

--	10496B	1	Weldment, chassis, containment	
----	--------	---	--------------------------------	--

Trailer Plug Adapters: (if equipped)

--	65463	1	Adapter, trailer wiring - flat 4 to round 6 pin	
--	65464	1	Adapter, trailer wiring - flat 4 to round 7 pin	
--	65465	1	Adapter, trailer wiring - flat 4 to round 7 blade	

HITCH OPTIONS

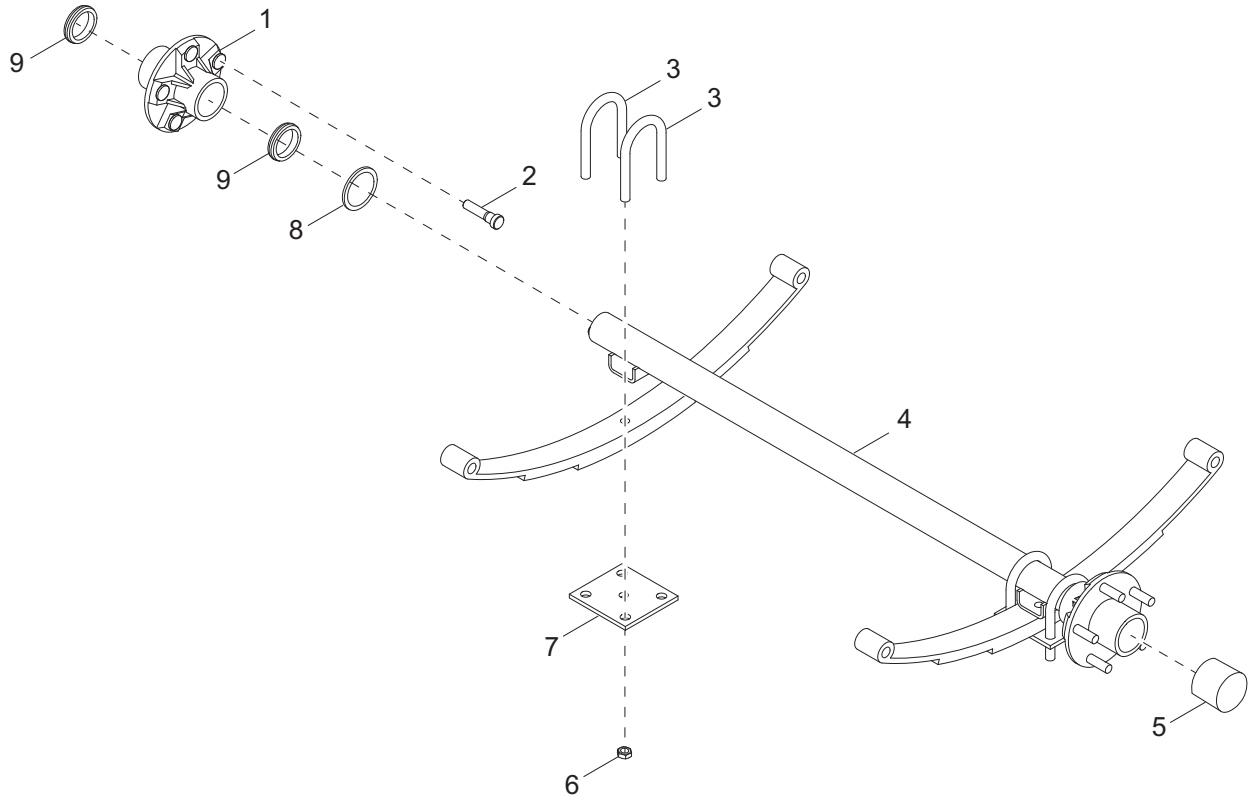


03056

HITCH OPTIONS

Item	Part No.	Qty	Description	Notes
1	62221	2	Nut, .500-13 nylock, G5	
2	60309	4	Washer, .500 flat 1.060/.090	
3	50215	2	Screw, .500-13 x 4.0 std hex, G5	
4	12155B	4	Spacer, coupler	
5	13003B	1	Coupler, 2.0 ball/3.0 channel	
6	16741ZC	1	Weldment, combo hitch - 2.50 tongue	
7	16999B	1	Weldment, lunette ring - 2.5 x 1.0 ring/2.50 tongue	
8	16835B	1	Weldment, lunette ring - 3.0 x 1.0 ring/2.50 tongue	
9	11672B	1	Weldment, hitch - 3.0 x 1.625 ring/2.50 tube	
10	12229	1	Coupler, 2.31 ball/3.0 channel	
11	60376	2	Screw, .500-13 x 4.50 std hex, G5	

AXLE ASSEMBLY

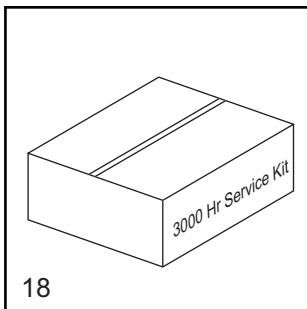
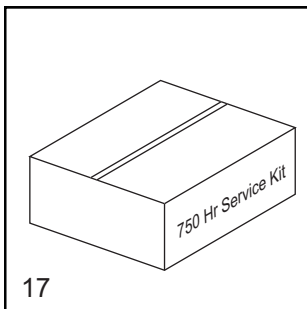
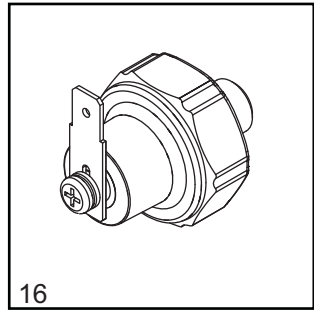
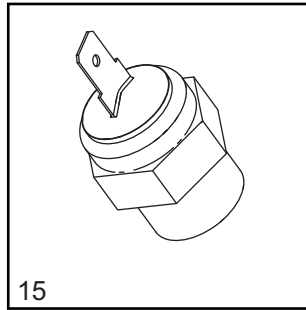
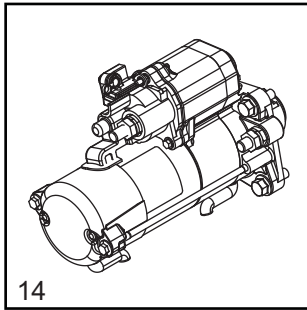
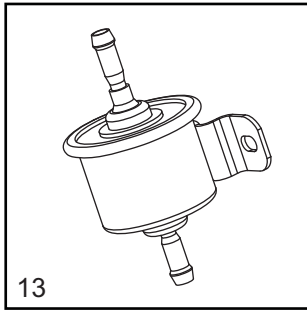
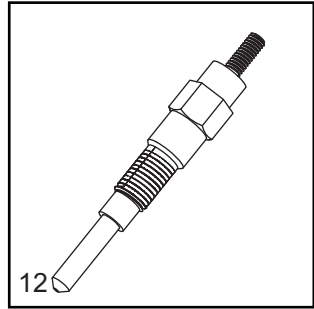
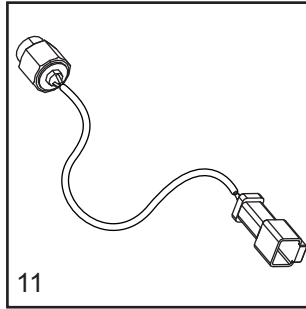
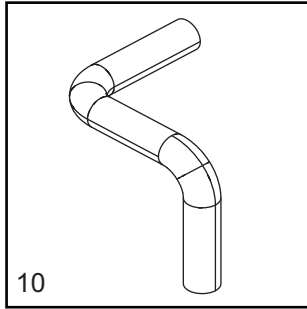
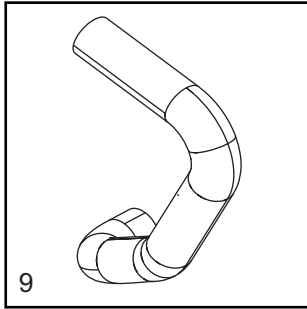
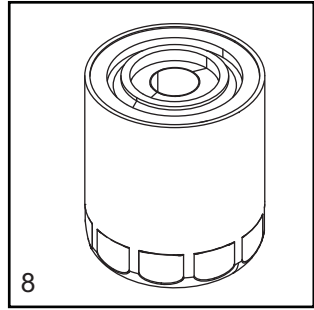
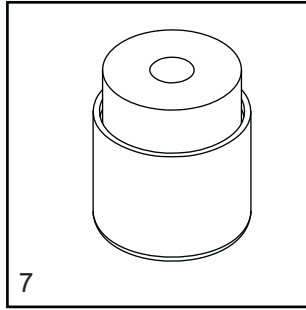
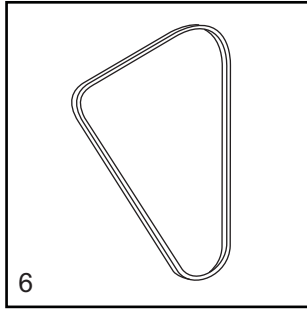
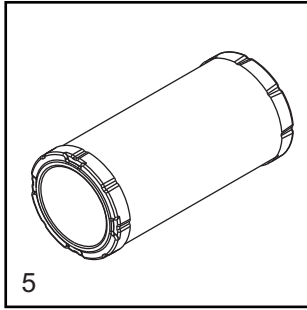
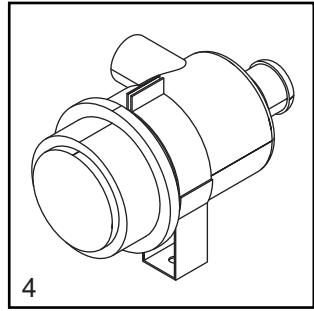
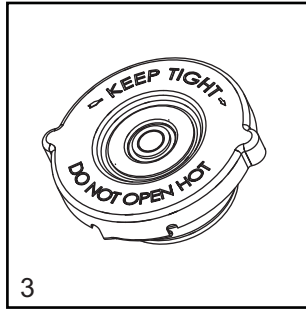
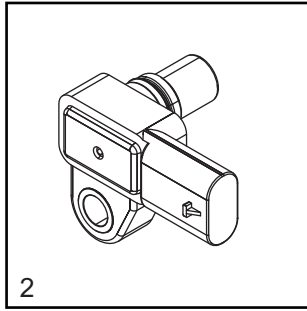
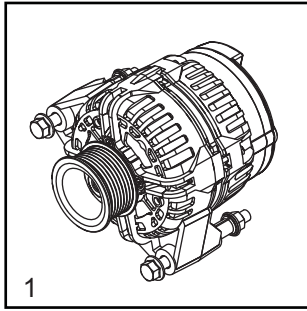


01746

AXLE ASSEMBLY

Item	Part No.	Qty	Description	Notes
1	11206	2	Axle hub w/studs and outer races	
2	60674	10	Stud, wheel, .500-20 wheel, G8	
3	11201	4	Bolt, U - 2200 lb	
4	11385	1	Axle, 2200 lb 58TC 45SC	
5	12460	2	Cap, wheel bearing	
6	11203	8	Nut, U-bolt, 2200 lb	
7	11202	2	Tie-plate, 2200 lb	
8	13000	2	Seal - 2200 lb	
9	11511	4	Bearing, roller	Includes bearing races

RECOMMENDED SPARE PARTS - ENGINE AND SERVICE KITS



RECOMMENDED SPARE PARTS - ENGINE AND SERVICE KITS

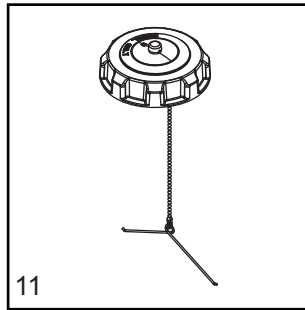
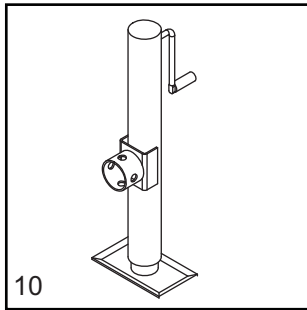
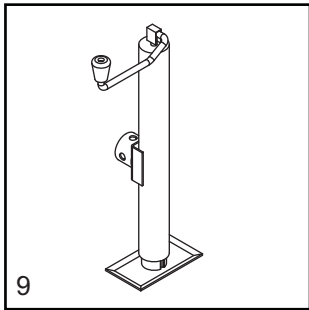
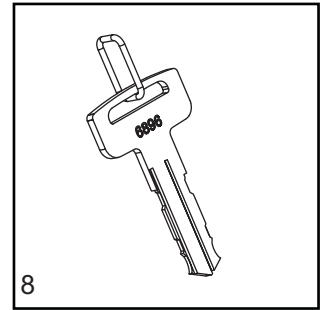
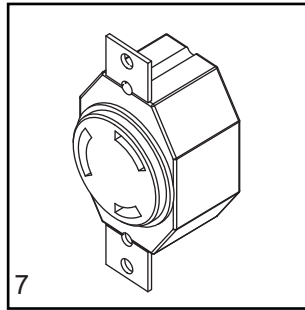
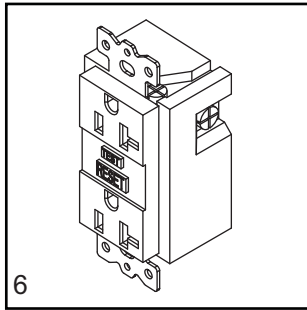
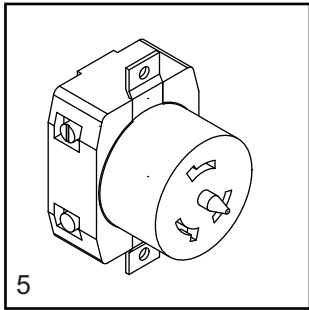
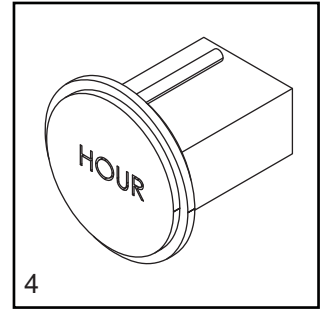
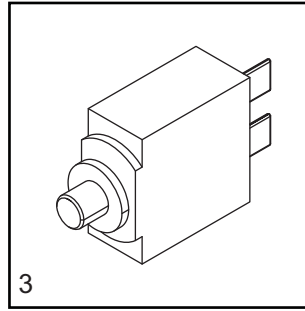
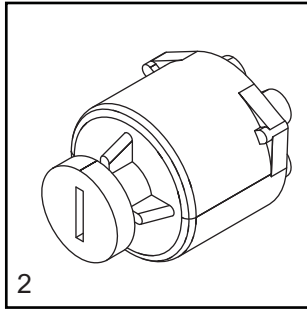
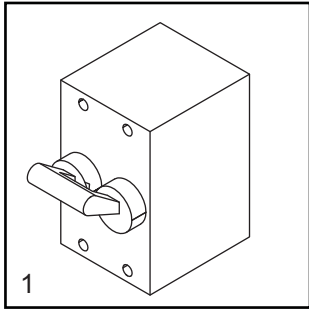
ENGINE

1. Alternator	A0000163162
2. Atmospheric pressure sensor	72175SRV
3. Cap, radiator	19219
4. Assembly, air filter	34066
5. Filter, air (element)	16444
6. Belt	10386
7. Filter, fuel	10000023037
8. Filter, oil (after break-in filter 16691)	70124
9. Hose, radiator - lower	15185
10. Hose, radiator - upper	11891
11. Magnetic pick-up	A0000116158
12. Plug, glow	100003422
13. Pump, fuel	13278SRV
14. Starter	A0000163161
15. Switch, coolant temperature	16678
16. Switch, oil pressure	A0000163166

SERVICE KITS

17. 750 hour kit	10000036108
Includes: Air Filter 16444, Fuel Filter Element 10000023037 and Oil Filter 70124	
18. 3000 hour kit	SK335
Includes: Engine Belt 10388 (2), Air Filter 16444 (4), Fuel Filter Element 10000023037(4), and Oil Filter 70124 (4)	

RECOMMENDED SPARE PARTS - ELECTRICAL & MISC.



RECOMMENDED SPARE PARTS - ELECTRICAL & MISC.

ELECTRICAL

1. Breaker, 70A, 250V, 2 pole, AM stud terminal	60736
2. Switch, key	15195SRV
3. Breaker, 10A 240V, 1 pole - push button	65850
4. Gauge, hour meter	15085
5. Receptacle, 240V/50A twist lock	18089
6. Receptacle, 120V/20A GFI	14130
7. Receptacle, 240V/30A twist.....	14137

MISC.

8. Key (set of two).....	15309
9. Jack, top wind, 2000 lb	13051
10. Jack, side wind, 2000 lb	13050
11. Cap, fuel tank with lanyard.....	16326

Part No. A0000092240 Rev. A 07/24/2020

©2020 Generac Mobile Products, LLC

All rights reserved.

Specifications are subject to change without notice.

No reproduction allowed in any form without prior written consent
from Generac Mobile Products, LLC.

GENERAC | **MOBILE**

Generac Mobile Products, LLC
215 Power Drive, Berlin, WI 54923

GeneracMobileProducts.com | 800-926-9768 | 920-361-4442